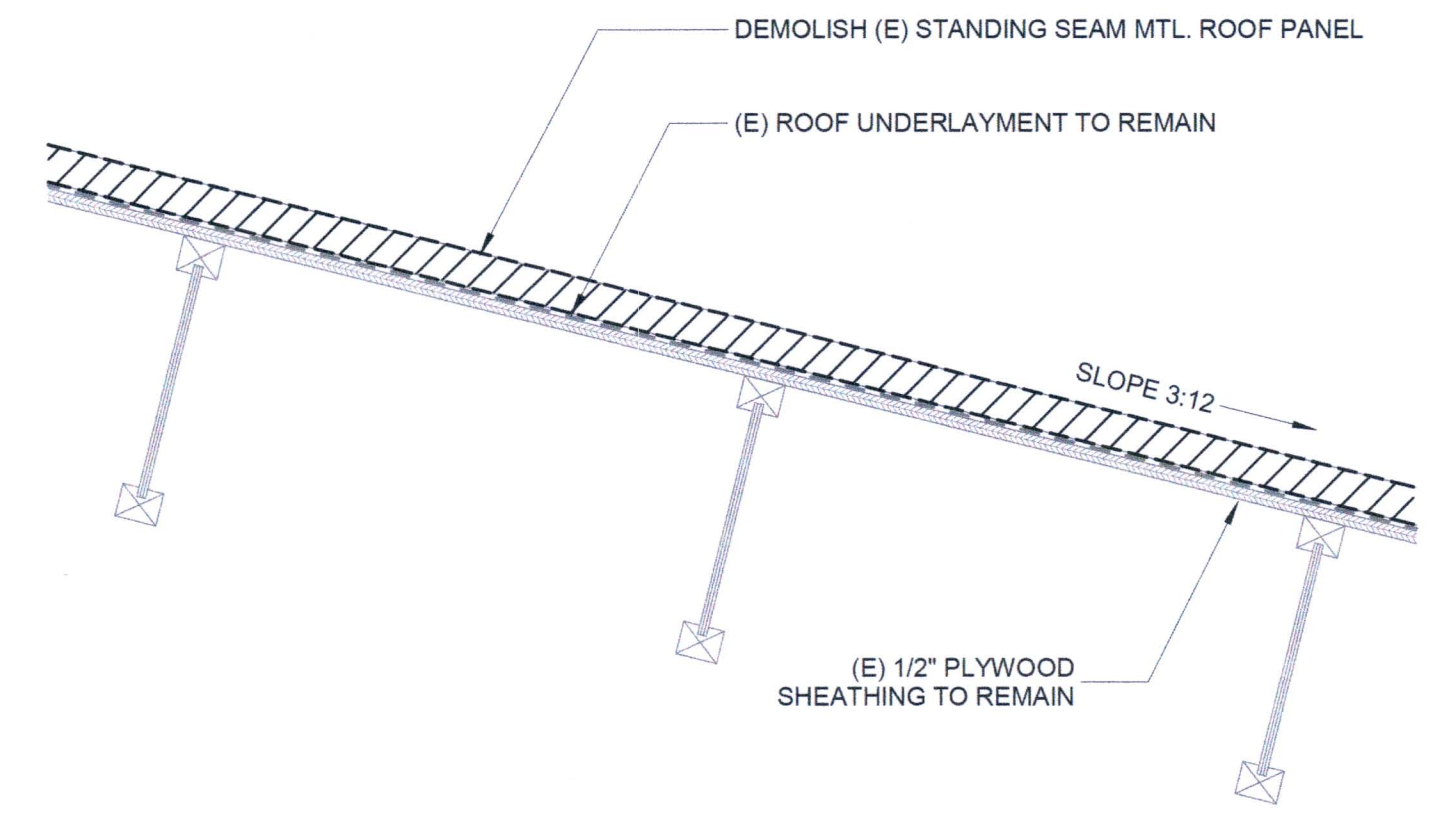


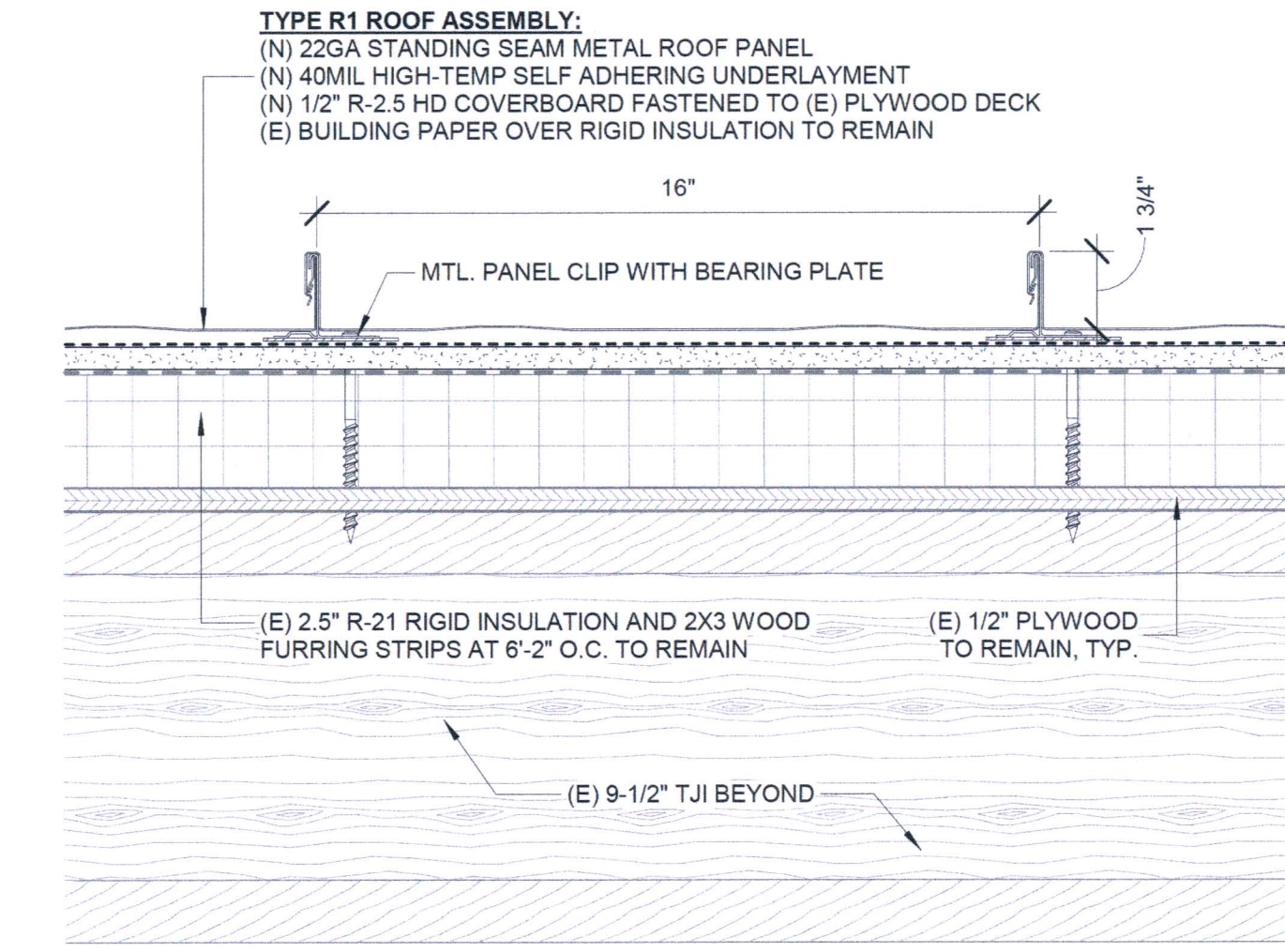
7
A5.0
1 1/2" = 1'-0"

R1: (E) ASSEMBLY SECTION



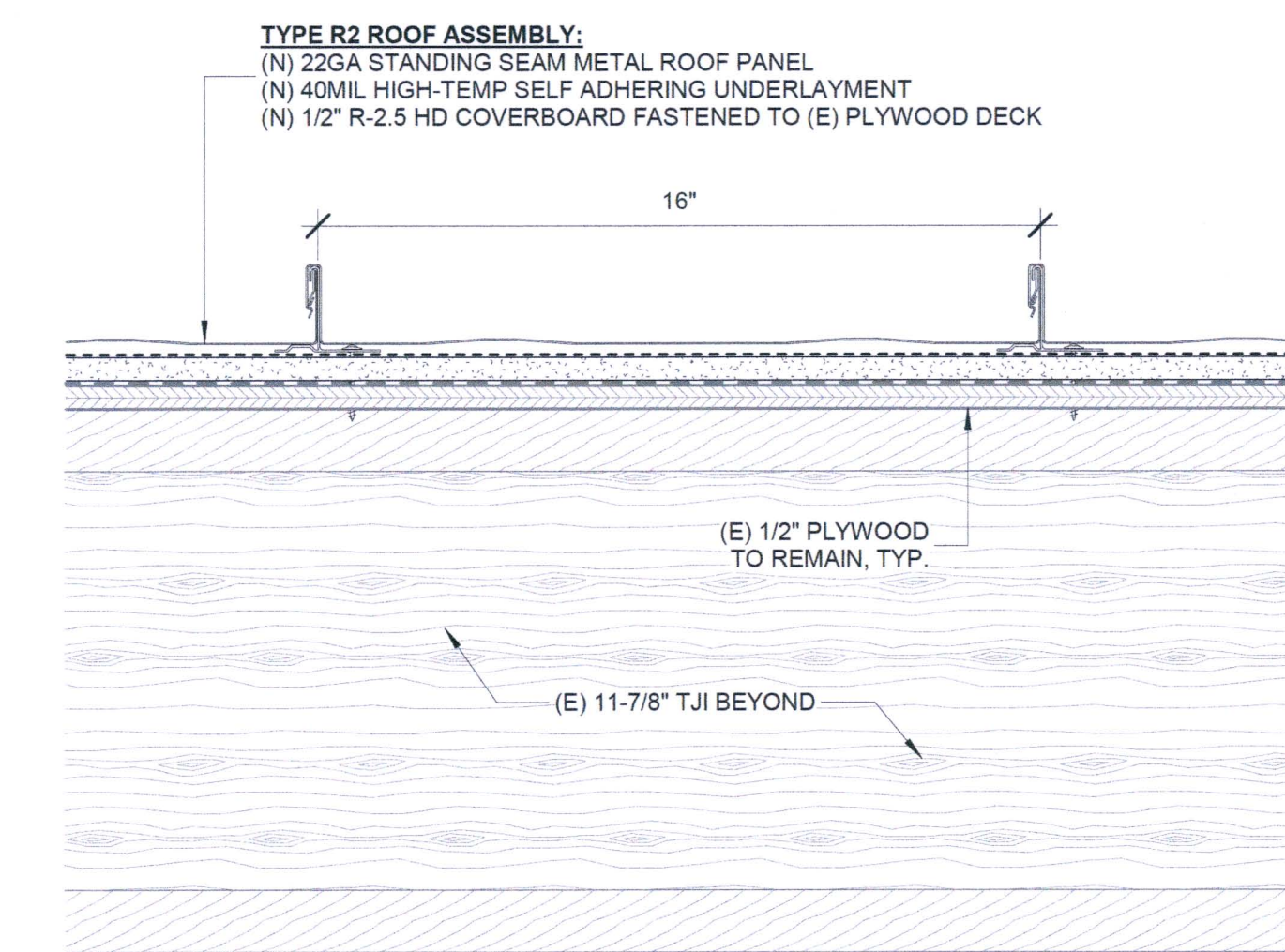
8
A5.0
1 1/2" = 1'-0"

R2: (E) ASSEMBLY SECTION



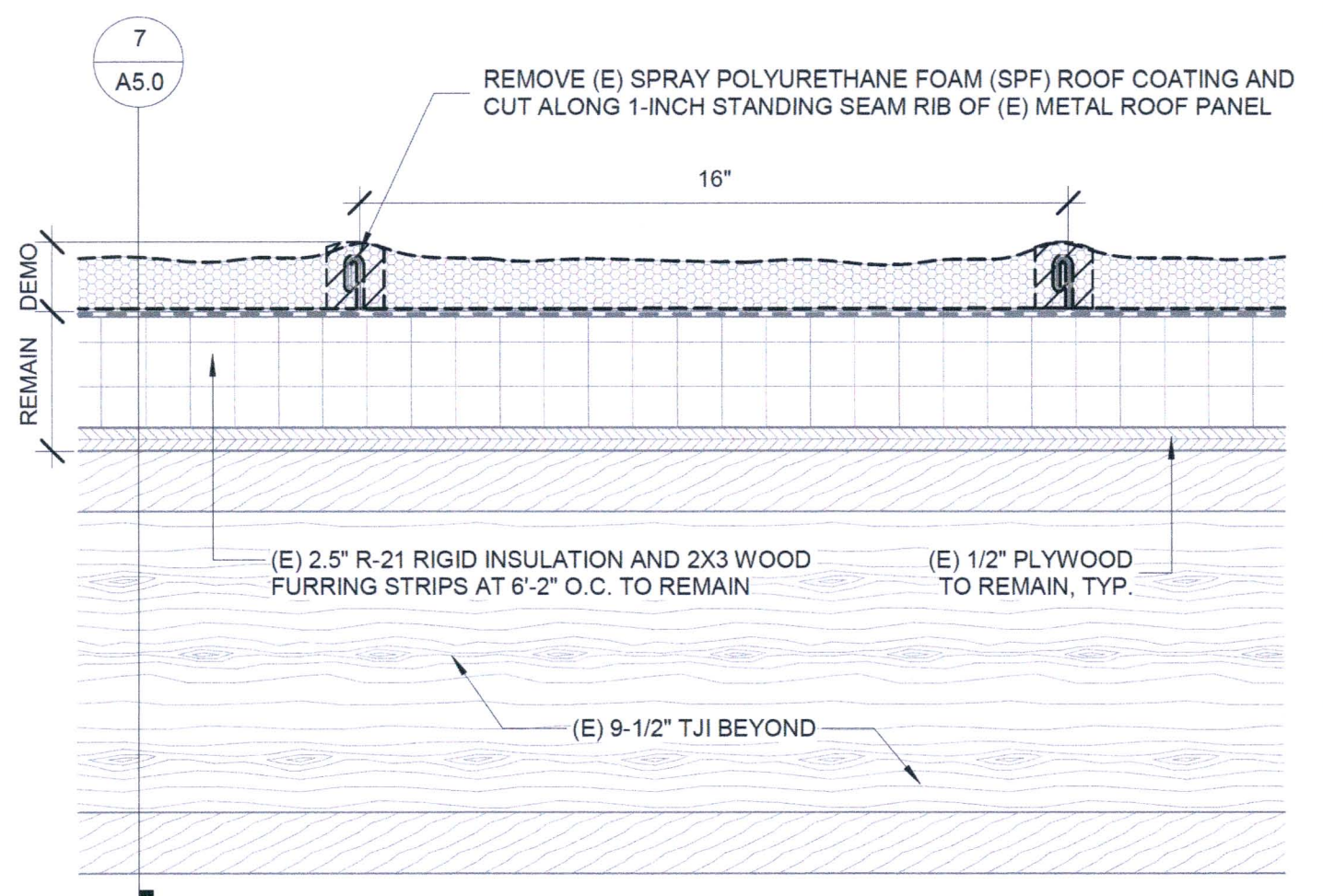
4
A5.0
3" = 1'-0"

R1: (N) MTL. ROOF AT (E) INSUL.



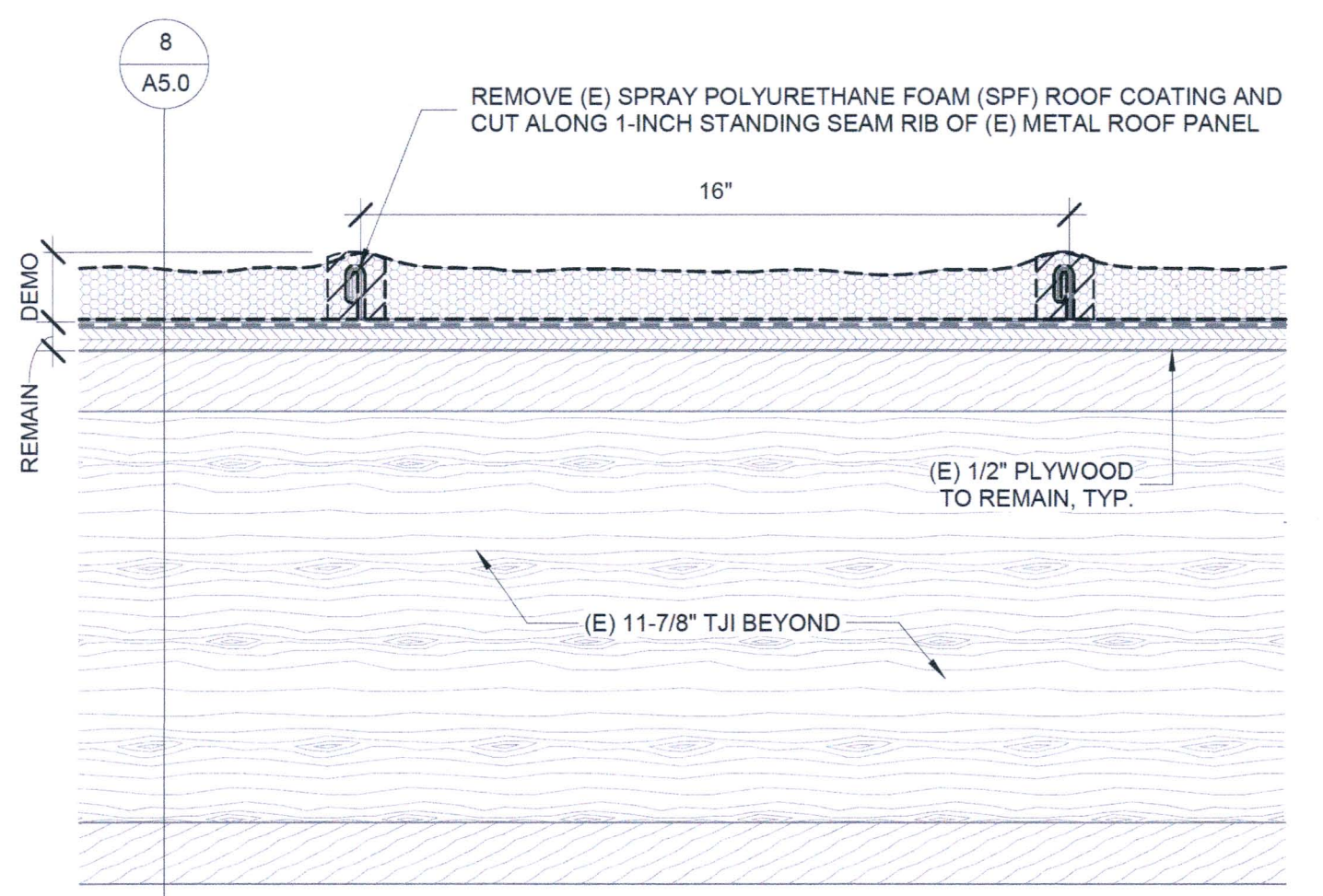
5
A5.0
3" = 1'-0"

R2: (N) MTL. ROOF AT (E) PLYWD.



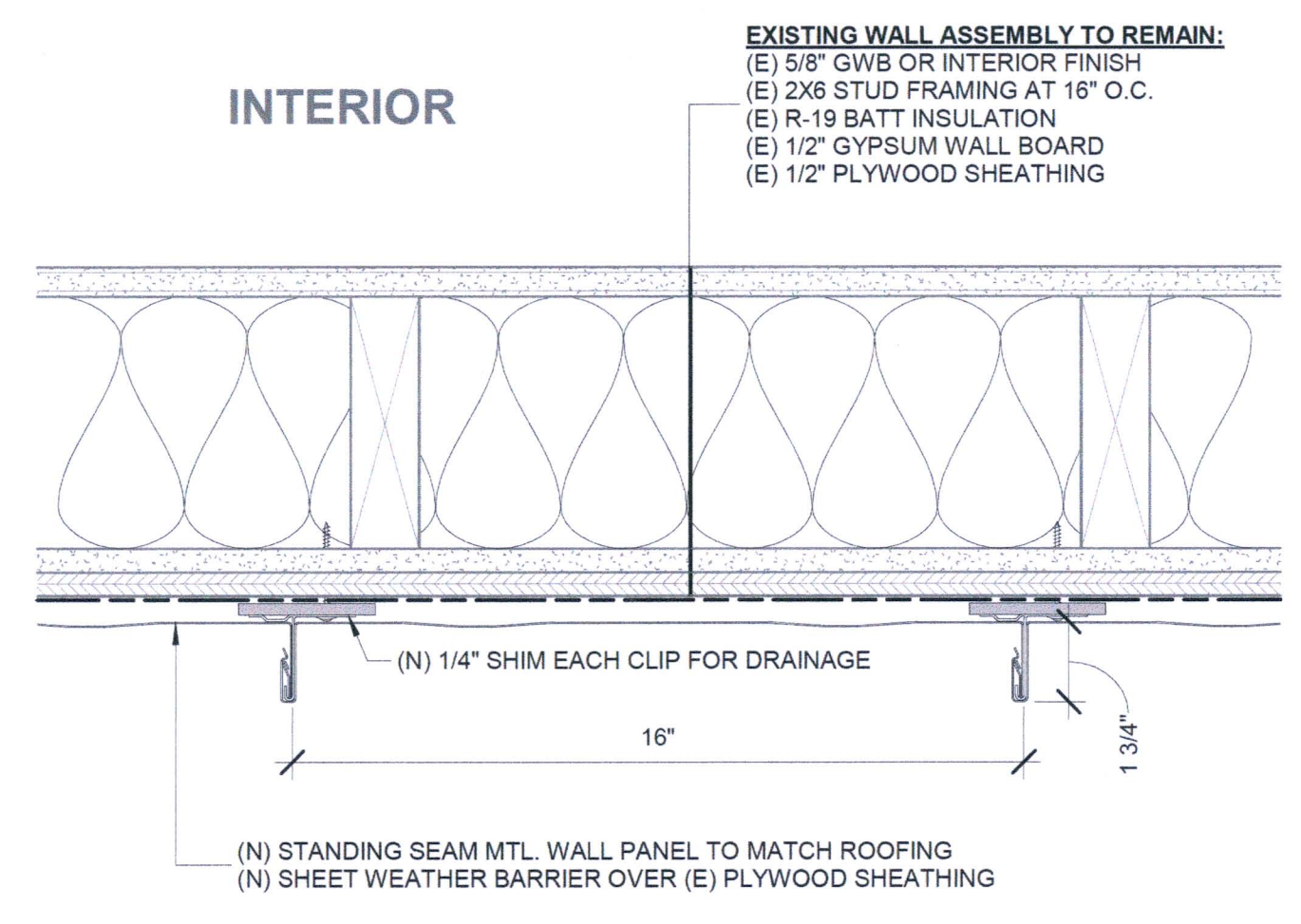
1
A5.0
3" = 1'-0"

R1: (E) MTL. ROOF DEMO AT INSUL.



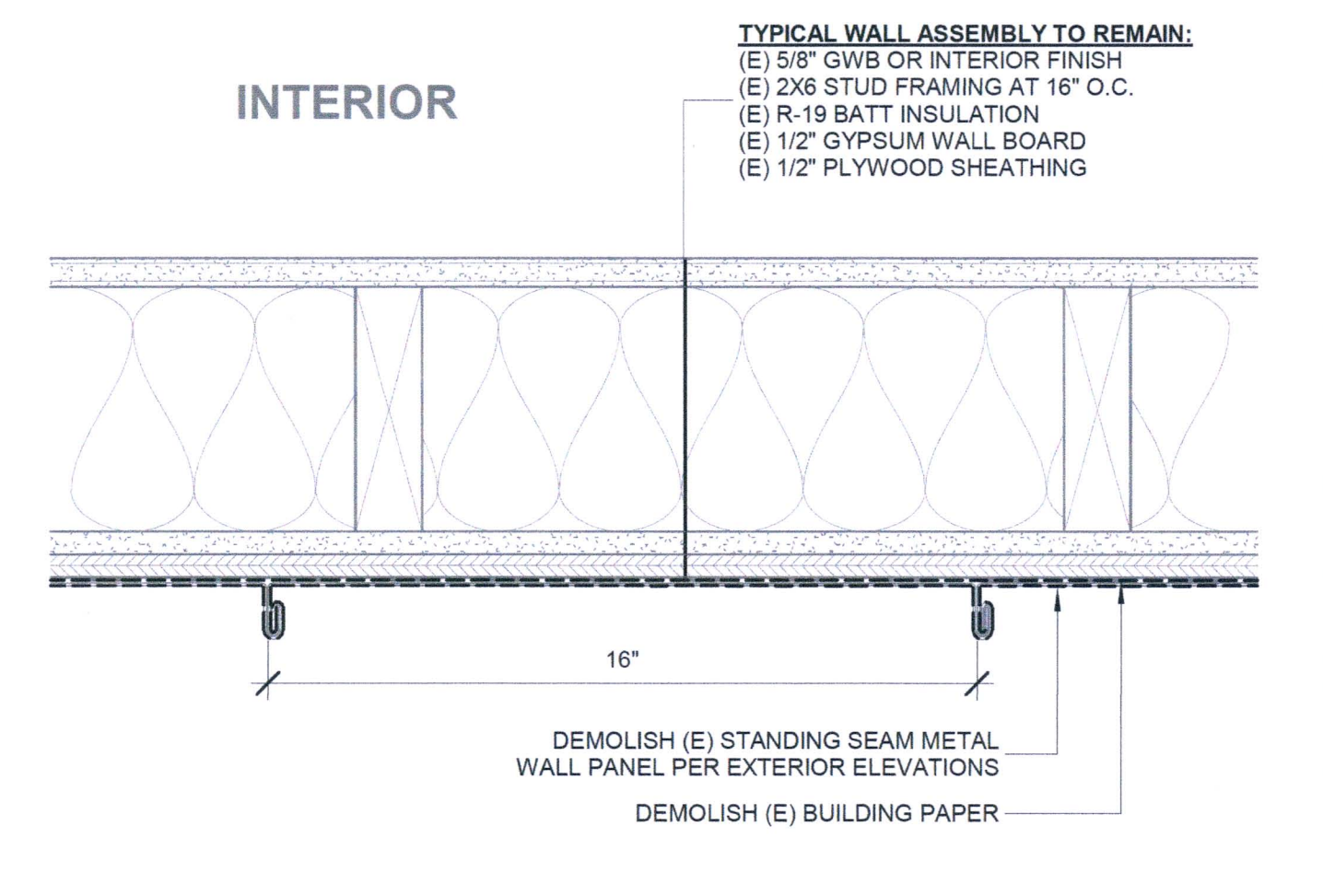
2
A5.0
3" = 1'-0"

R2: (E) MTL. ROOF DEMO AT PLYWD.



6
A5.0
3" = 1'-0"

W1: (N) MTL. SIDING ASSEMBLY



3
A5.0
3" = 1'-0"

W1: (E) MTL. SIDING DEMO DETAIL

Part of
Tacoma
P.O. BOX 187 TACOMA, WA 98401 (206) 835-9641

OAI PS
Architecture & Planning
1011 SW KLUCKITAT WAY, STE. 208
SEATTLE, WA 98104 | (206) 651-6442
MARK: REVISION: B.Y.: APPR: DATE:

6273
REGISTERED
ARCHITECT
Henry D. Osborn
HENRY D. OSBORN
STATE OF WASHINGTON

APPROVED:	CHECKER:	CHECKED BY:	DATE:
<i>Henry D. Osborn</i>	<i>Henry D. Osborn</i>	<i>Henry D. Osborn</i>	DATE
DIRECTOR: ENG. DATE	PROJECT: ENGR. DATE	PRINTED BY: JUM	PORT ADDRESS: ONE SITCUM WAY TACOMA, WA 98401-1837
TOWNSHIP: 21	RANGE: 03	SECTION: 34	DRAWING SCALE: As indicated
M. ID: 101339.04	DATE-HRZ: WA83-SF	VERTI: PARCEL:	
PHASE: 100% SUBMITTAL			

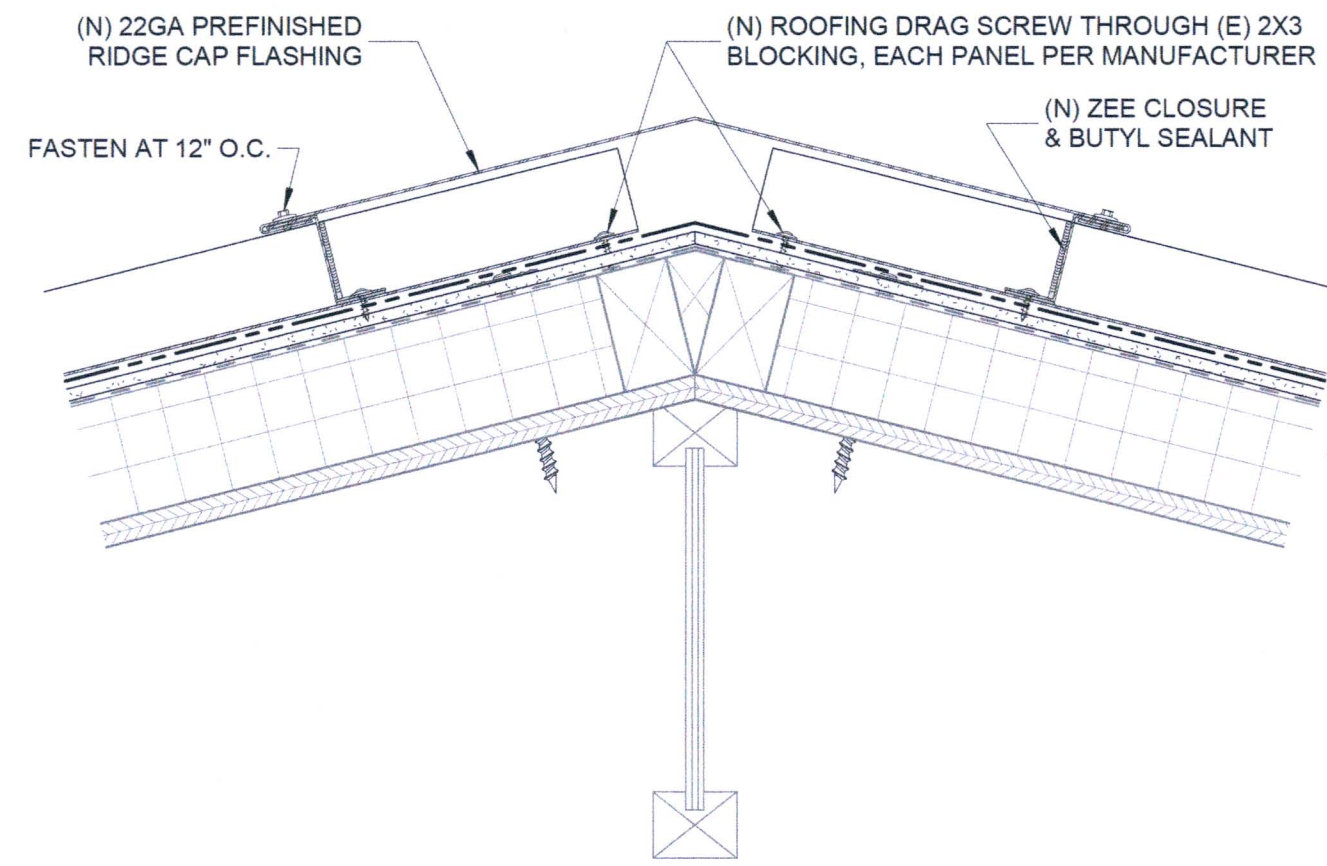
ADMINISTRATION BUILDING
ROOF REPLACEMENT

ROOF AND WALL ASSEMBLIES

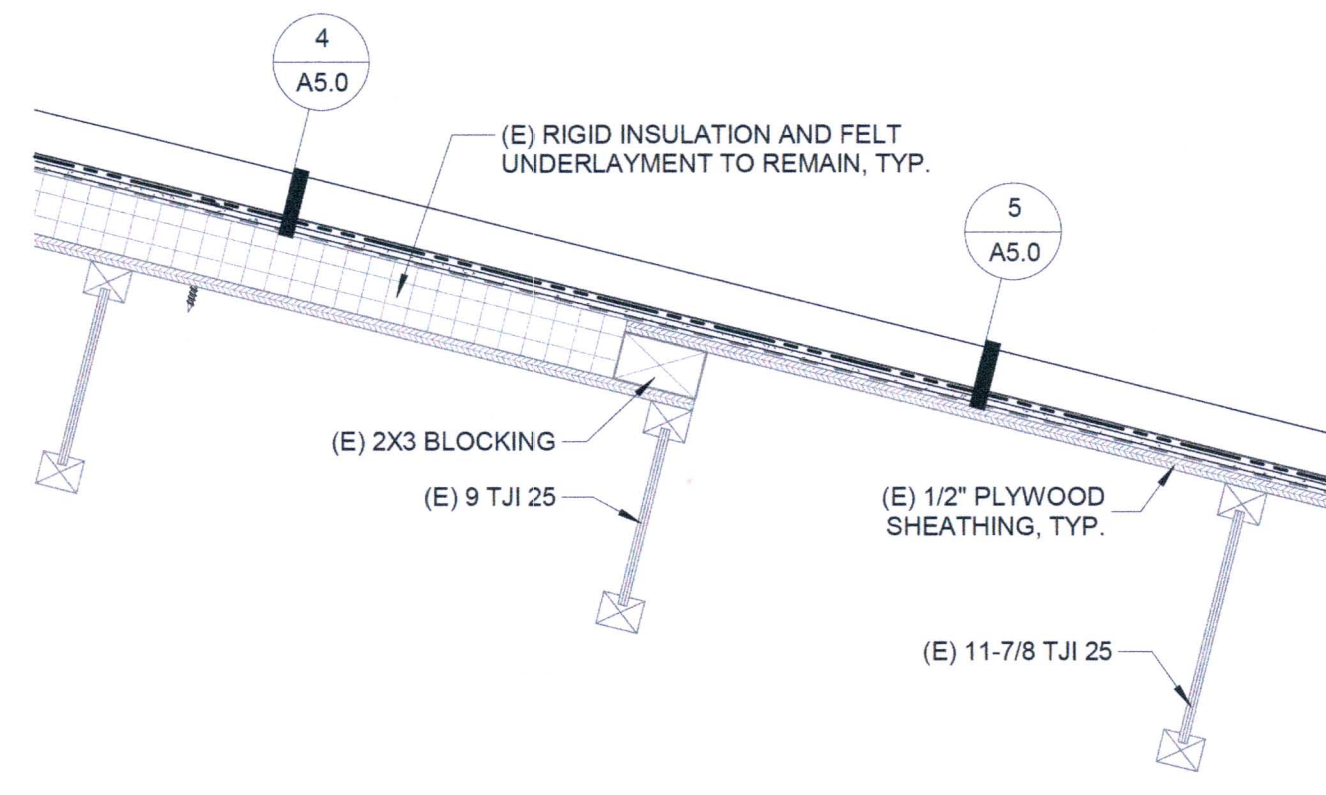
SHEET #17 OF 20
CONT./CONS: 071518

6661 A5.0

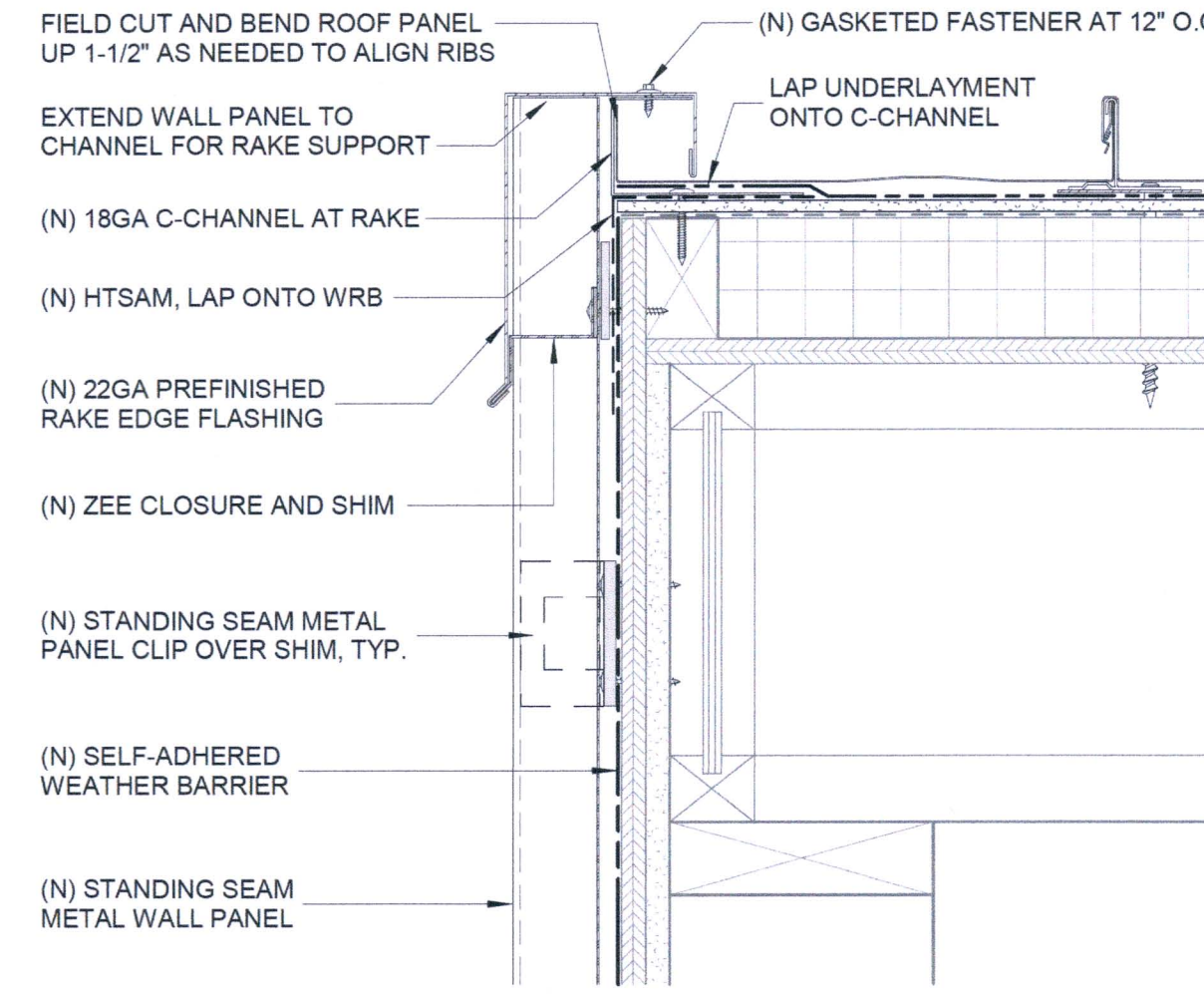
THIS DRAWING IS THE PROPERTY OF THE PORT OF TACOMA AND SHALL NOT BE USED ON OTHER WORK, DISCLOSED, COPIED, IN WHOLE OR IN PART, WITHOUT WRITTEN PERMISSION



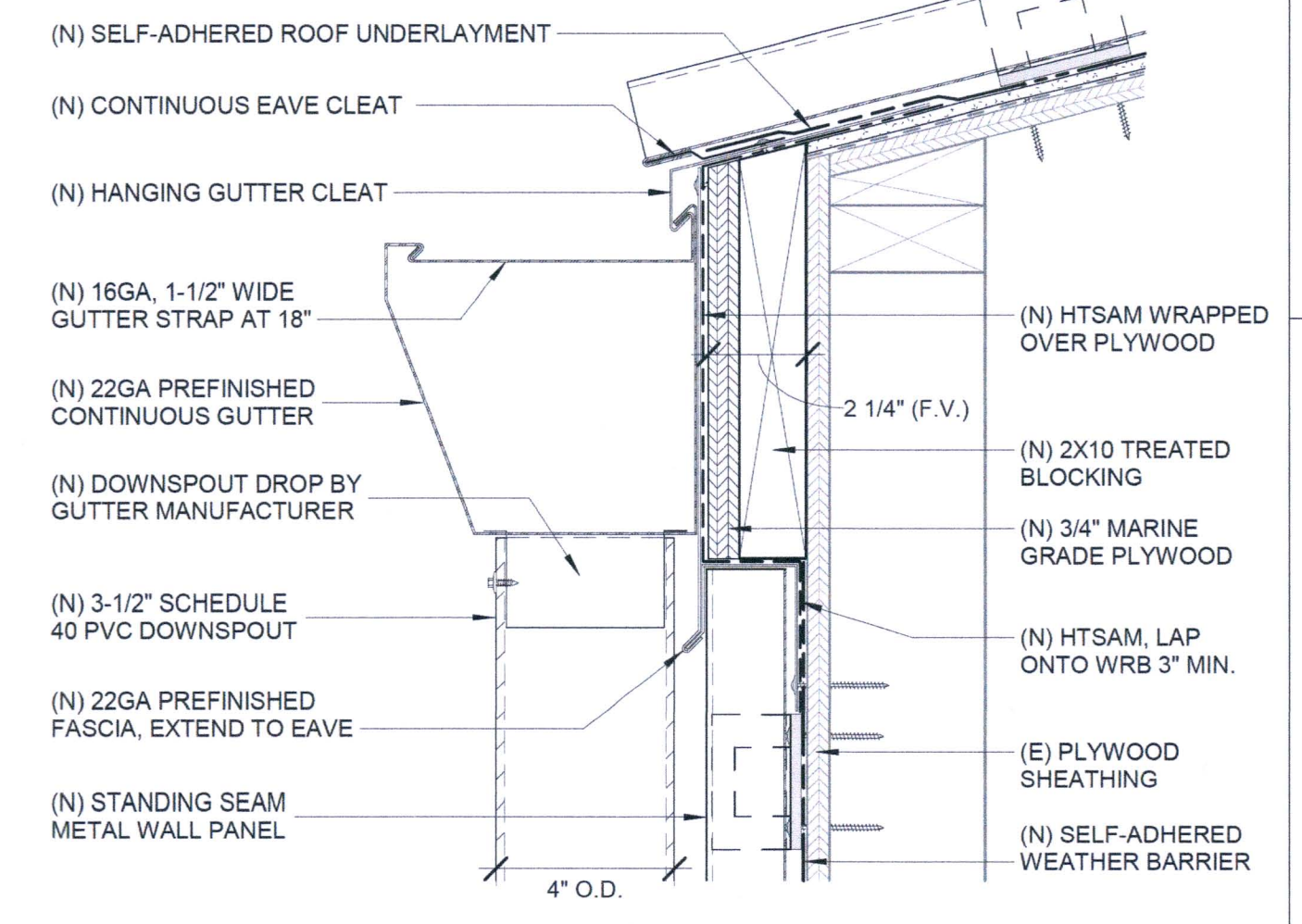
9 (N) RIDGE CAP DETAIL
A5.1 3" = 1'-0"



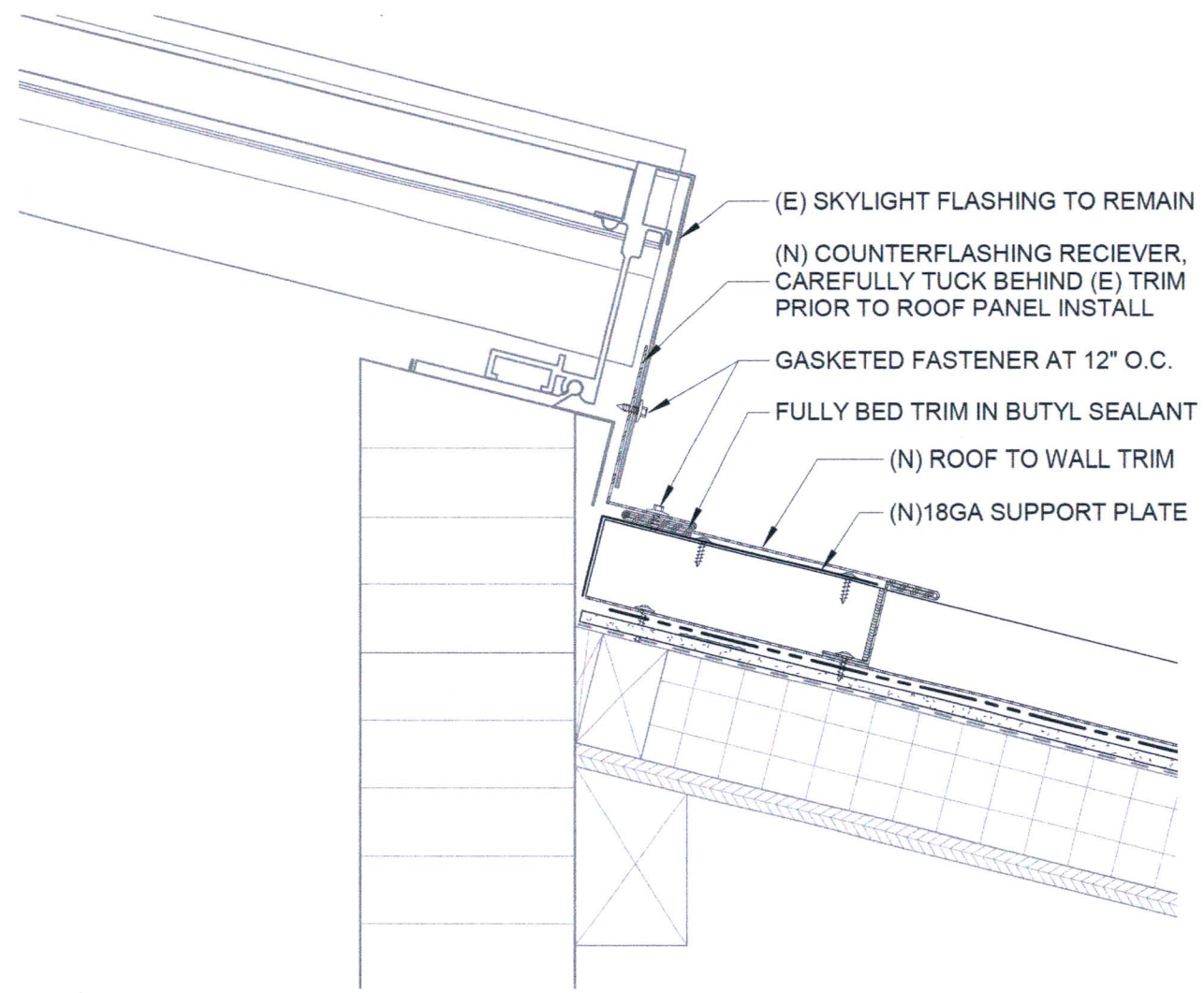
6 ROOF DECK TRANSITION
A5.1 1 1/2" = 1'-0"



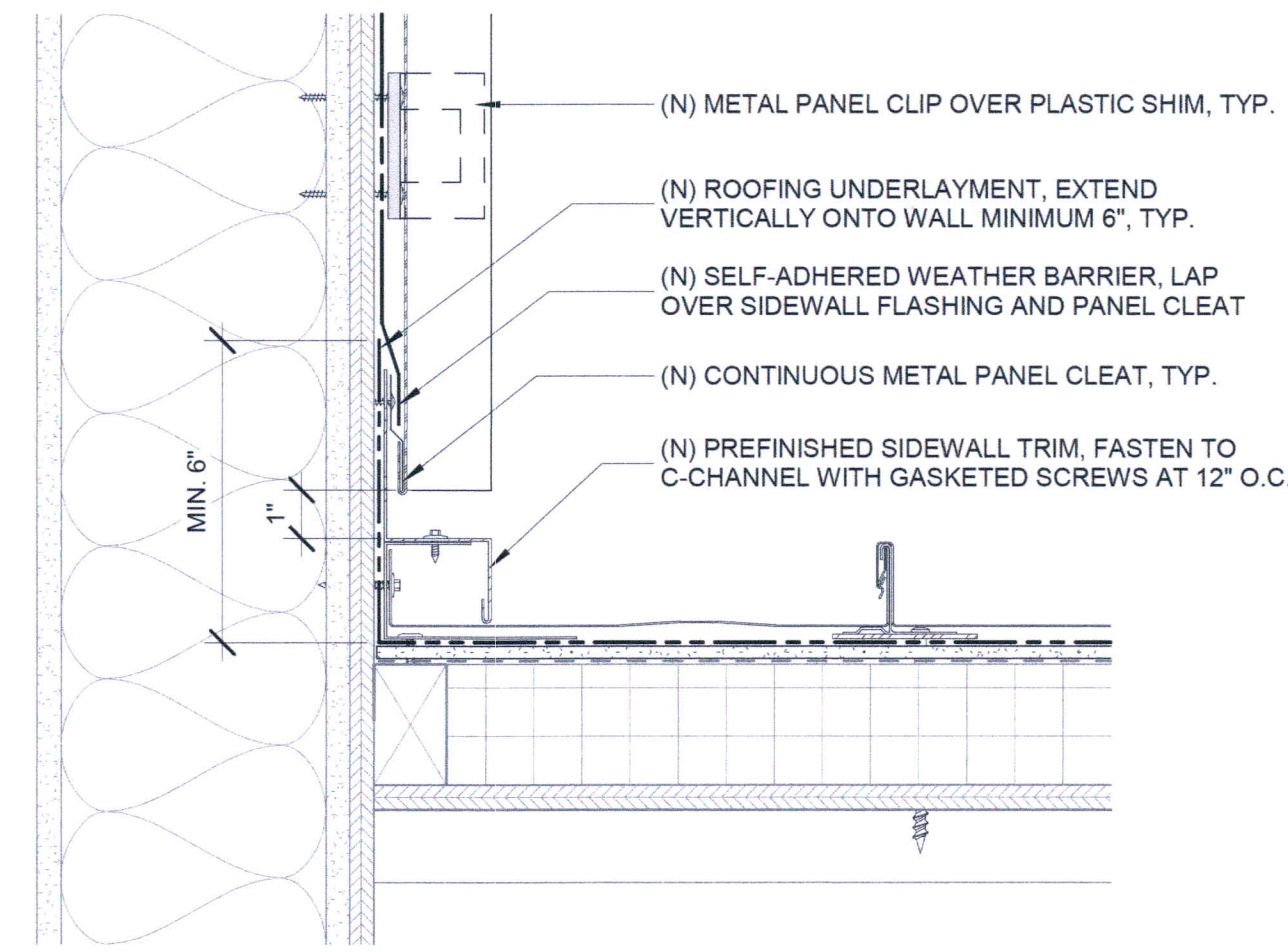
4 (N) RAKE EDGE DETAIL
A5.1 3" = 1'-0"



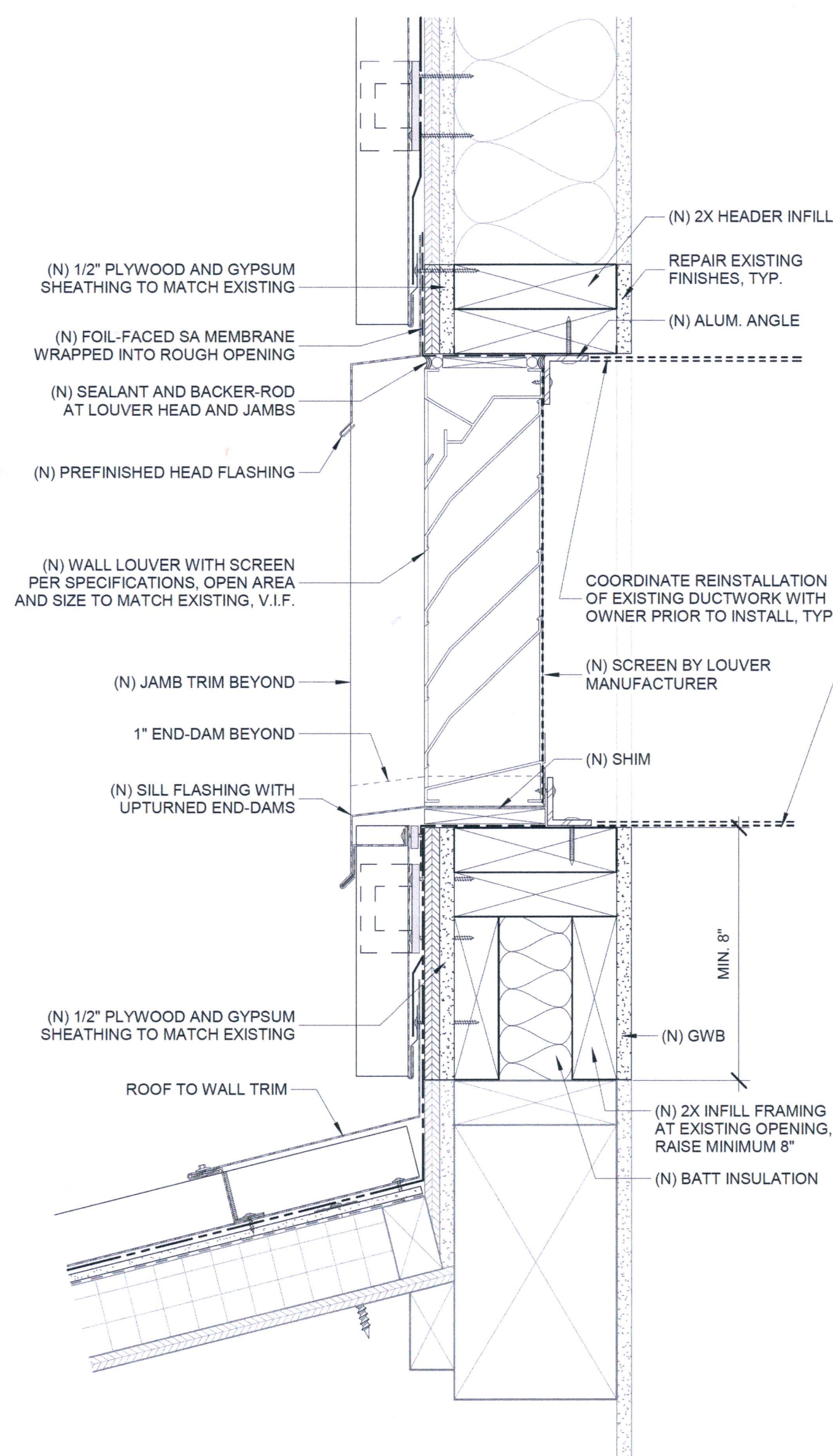
1 (N) ROOF EAVE DETAIL
A5.1 3" = 1'-0"



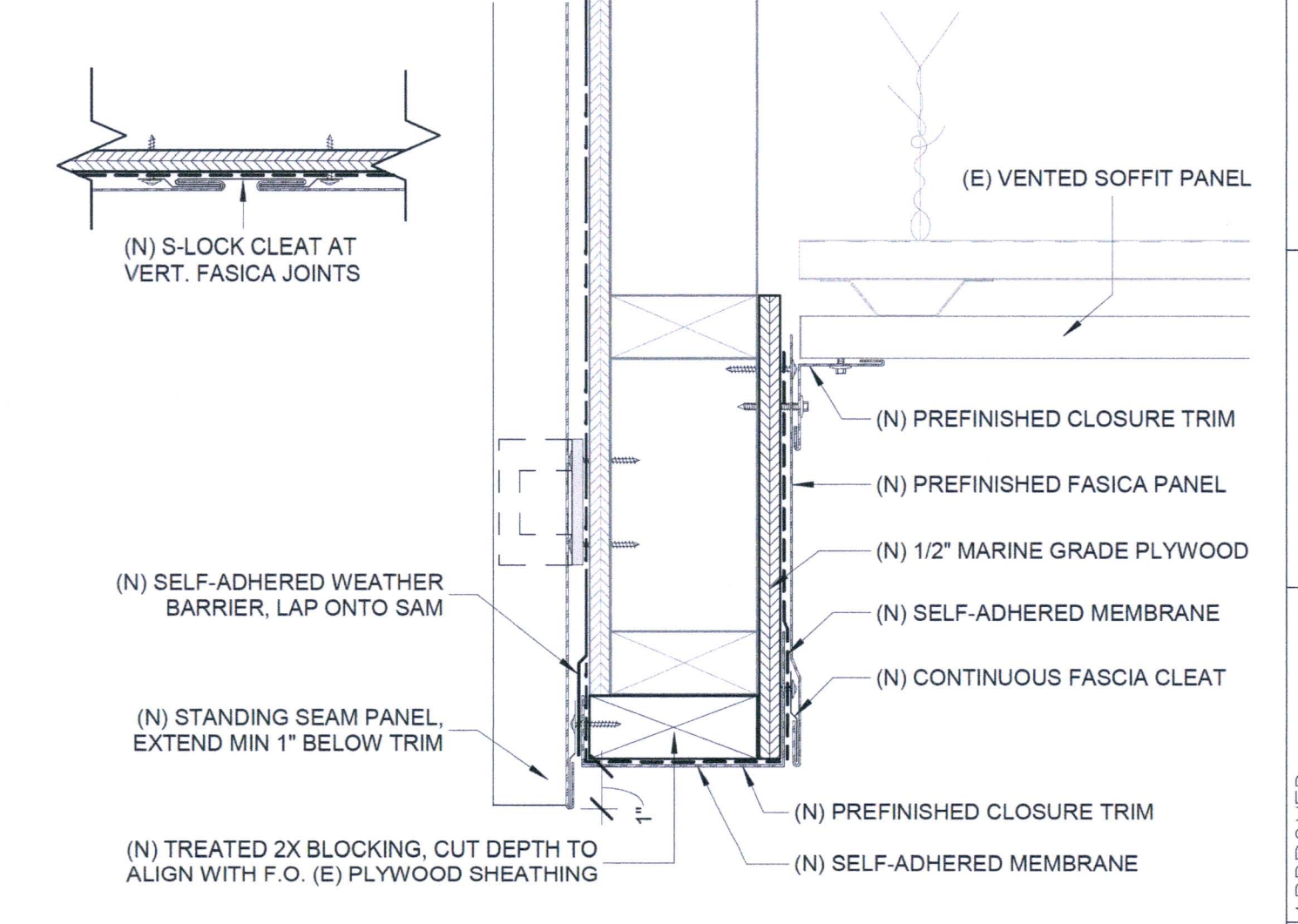
10 (N) ROOF TO WALL AT SKYLIGHT
A5.1 3" = 1'-0"



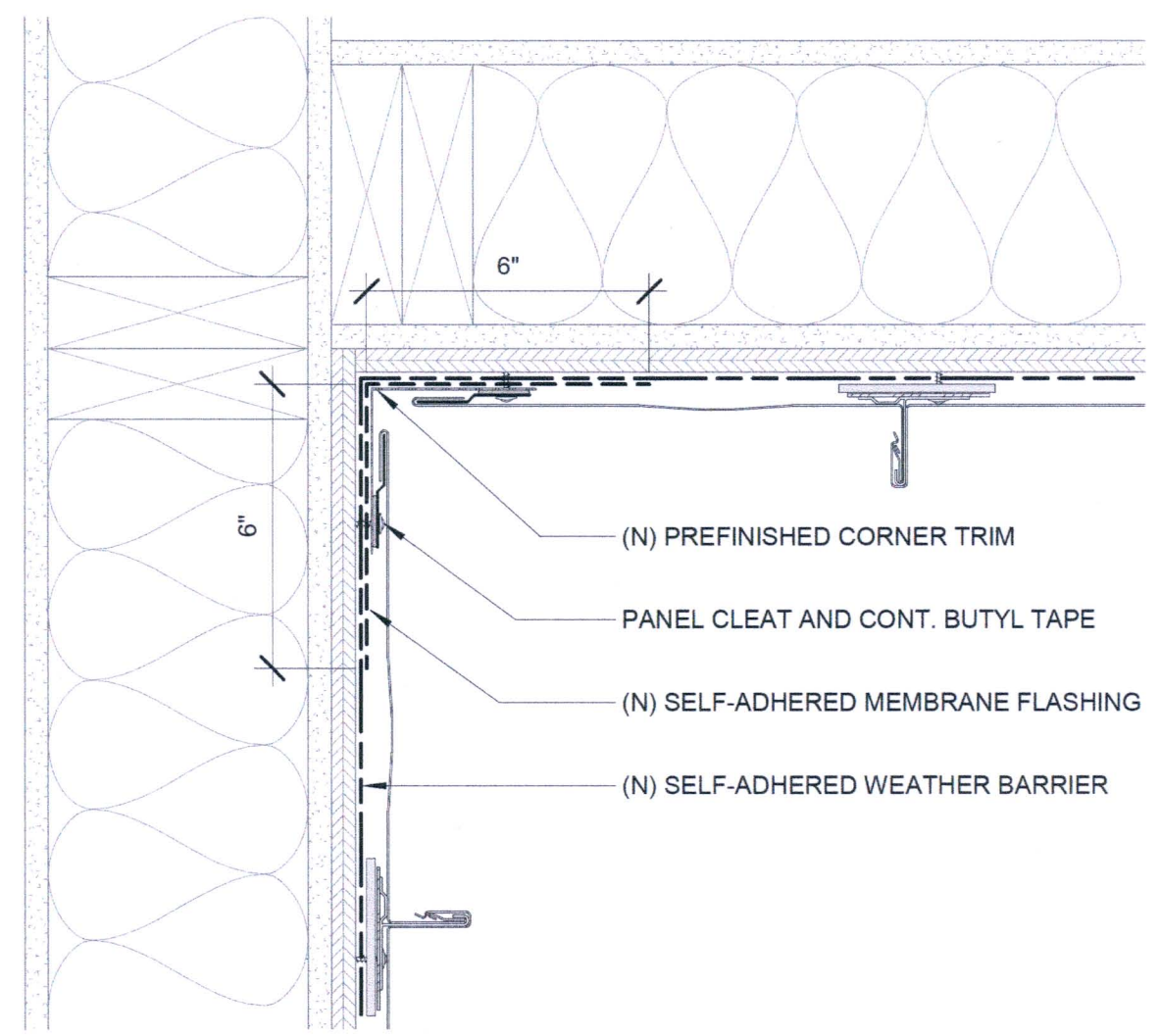
7 (N) SIDEWALL DETAIL
A5.1 3" = 1'-0"



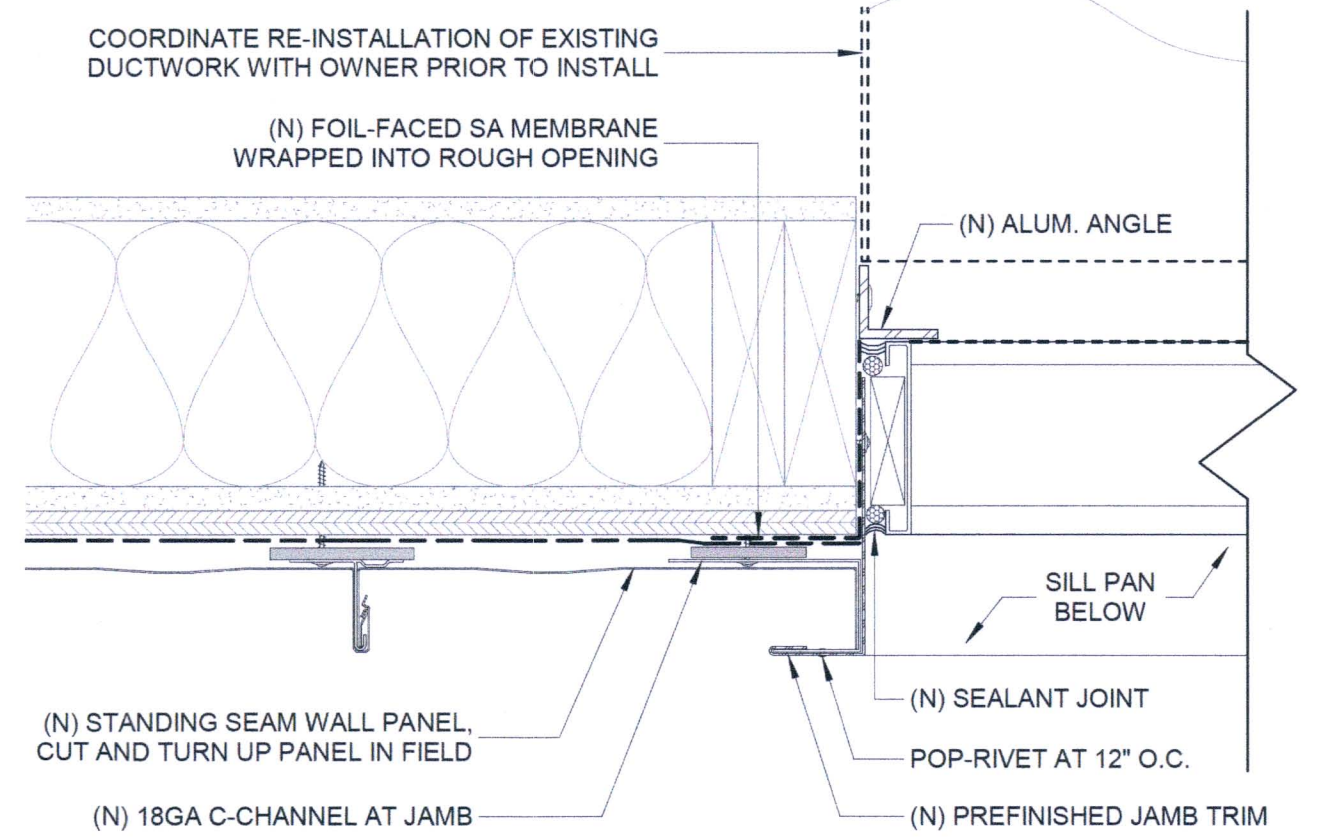
5 (N) HEAD/SILL AT LOUVER
A5.1 3" = 1'-0"



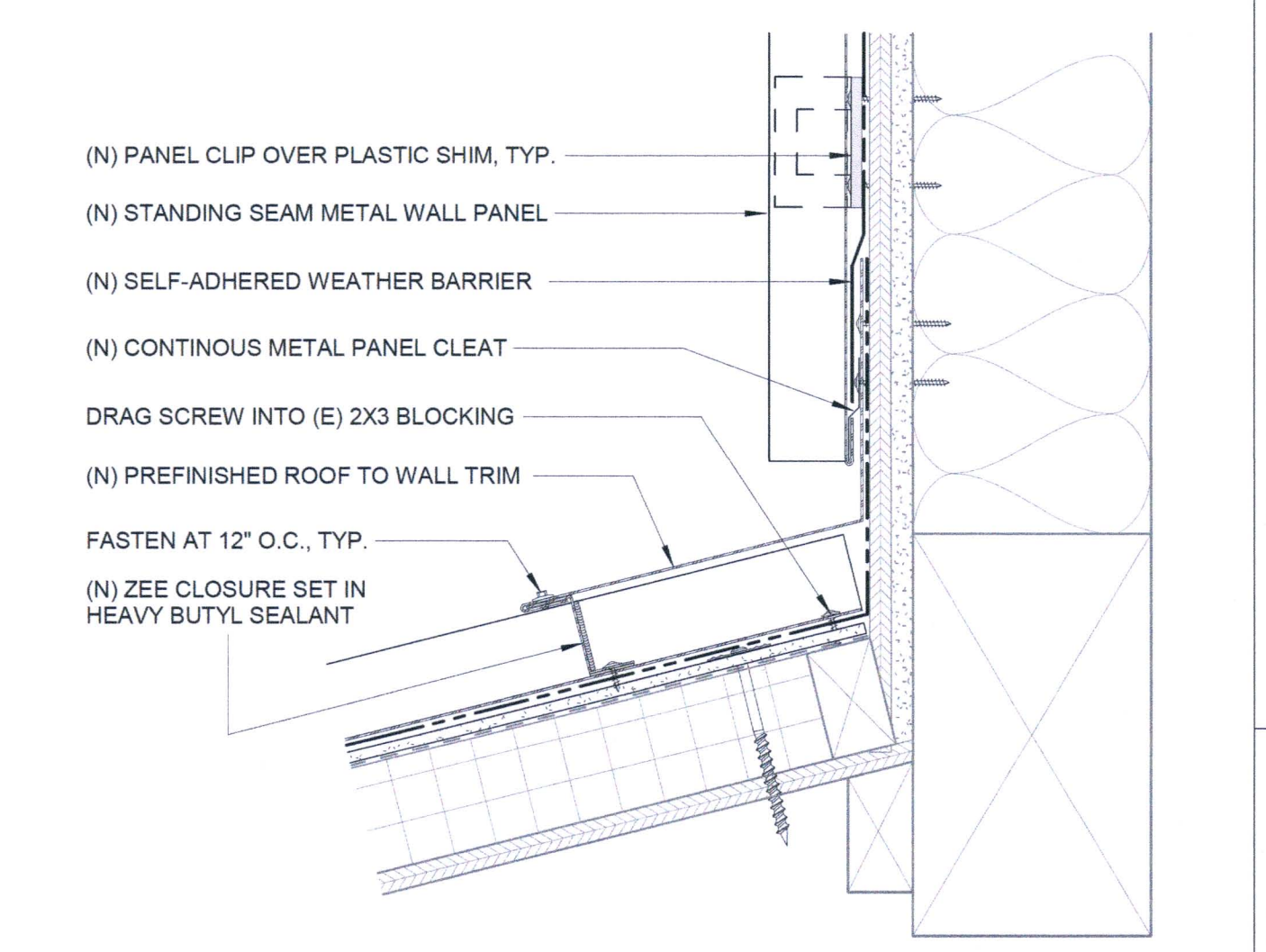
2 (N) BASE AT FASCIA
A5.1 3" = 1'-0"



11 (N) INSIDE CORNER AT MTL. PANEL
A5.1 3" = 1'-0"



8 (N) JAMB AT LOUVER
A5.1 3" = 1'-0"



3 (N) ROOF TO WALL DETAIL
A5.1 3" = 1'-0"

Part of
Tacoma
P.O. BOX 1037 TACOMA, WA 98401 (206)385-5641

OAI PS
Architecture & Planning
1011 SW KLUCKITAT WAY, STE. 208
SEATTLE, WA 98104 | (206) 651-0442
MARK: REVISION: B.Y: DATE:

6273 REGISTERED ARCHITECT
Jerry D. Osborn
JERRY D. OSBORN
STATE OF WASHINGTON

APPROVED:	CHECKER:	CHECKED BY:	DATE:
<i>Jerry Osborn</i>			
DIRECTOR ENGR. DATE: 7/18/21	PROJECT ENGR. DATE:		
PRINTED BY: JUM			
PORT ADDRESS: ONE SITCUM WAY	TACOMA, WA 98401-1837		
DRAWING SCALE: As indicated			

**ADMINISTRATION BUILDING
ROOF REPLACEMENT**

DETAILS

SHT #18 OF 20

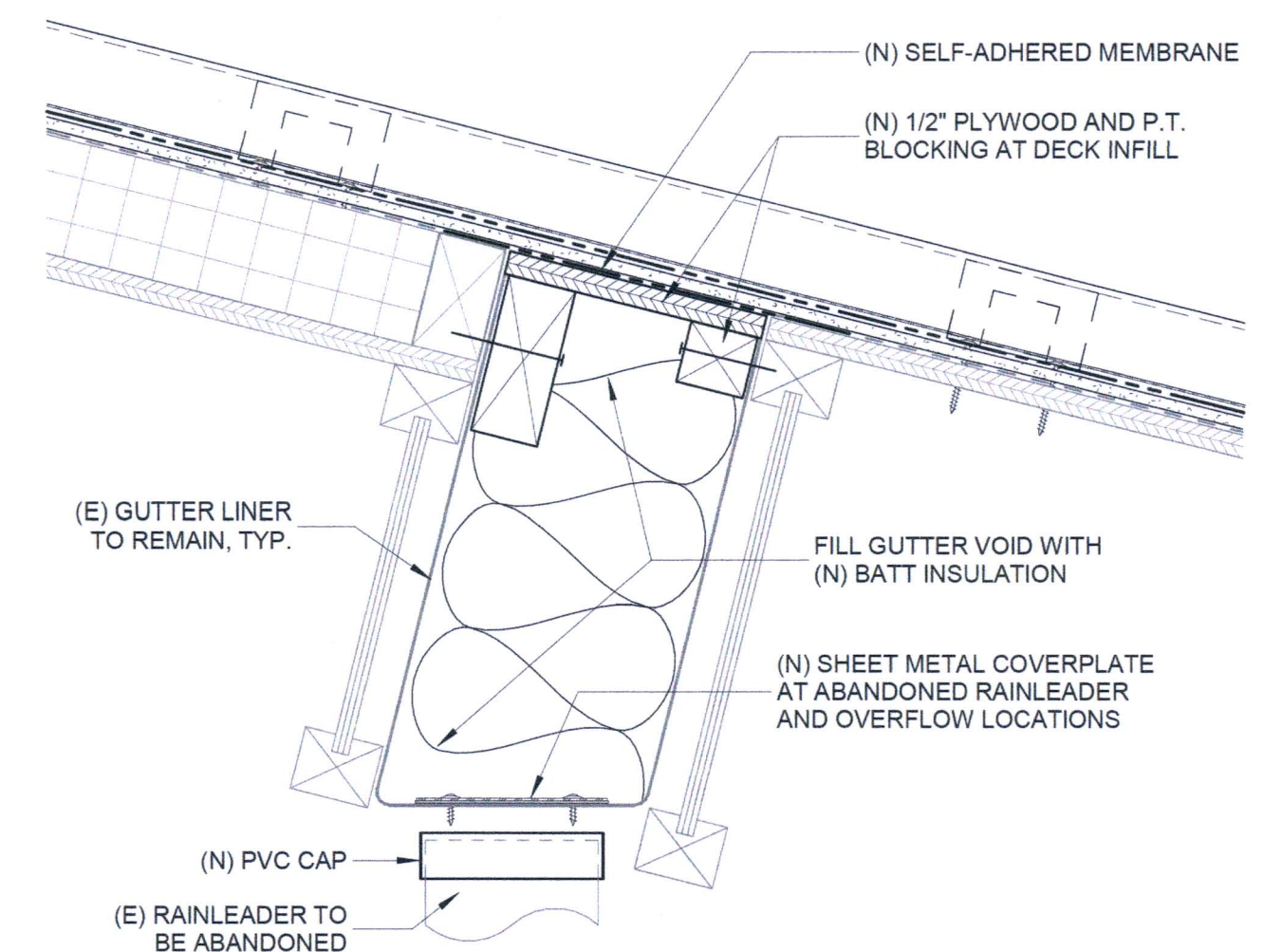
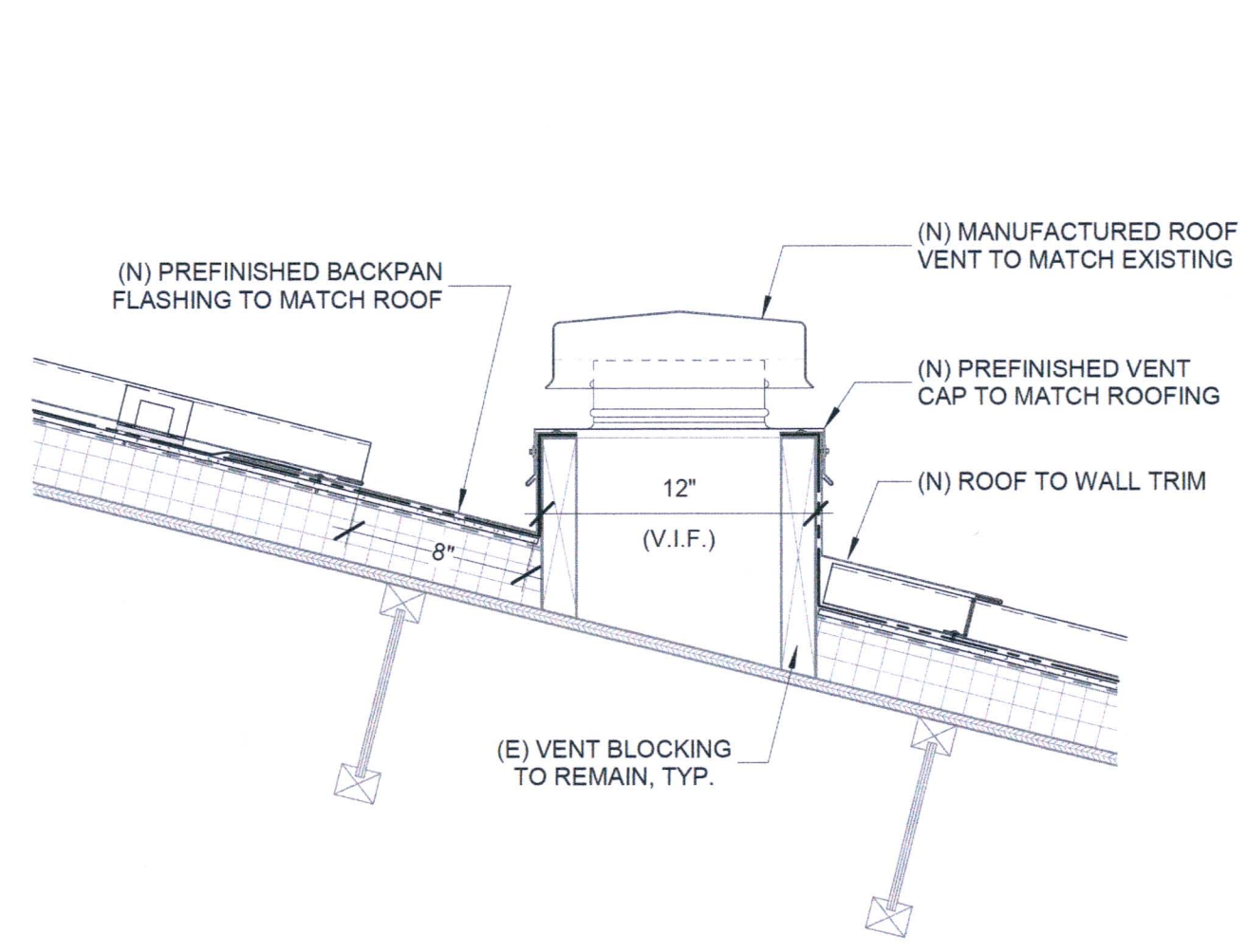
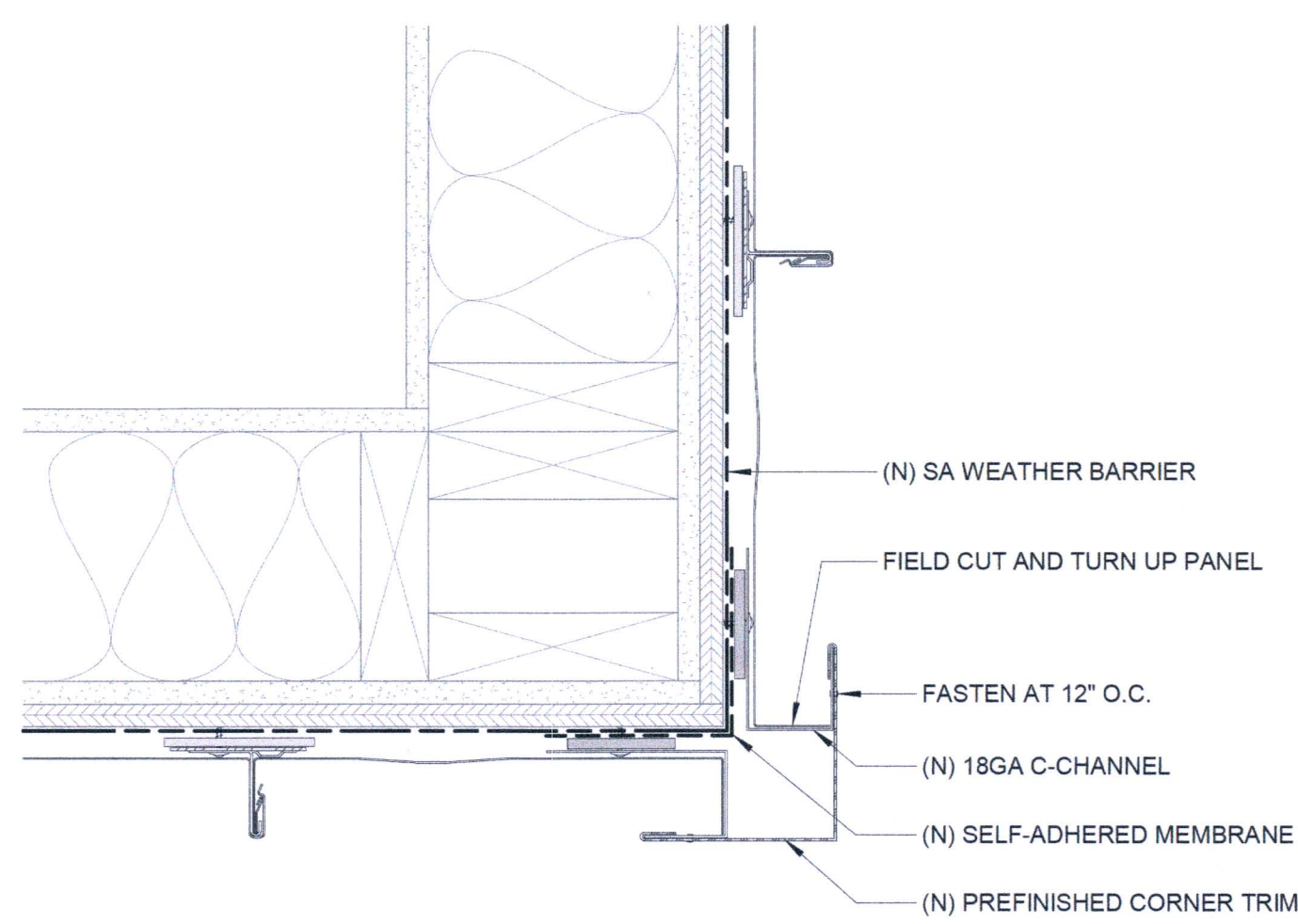
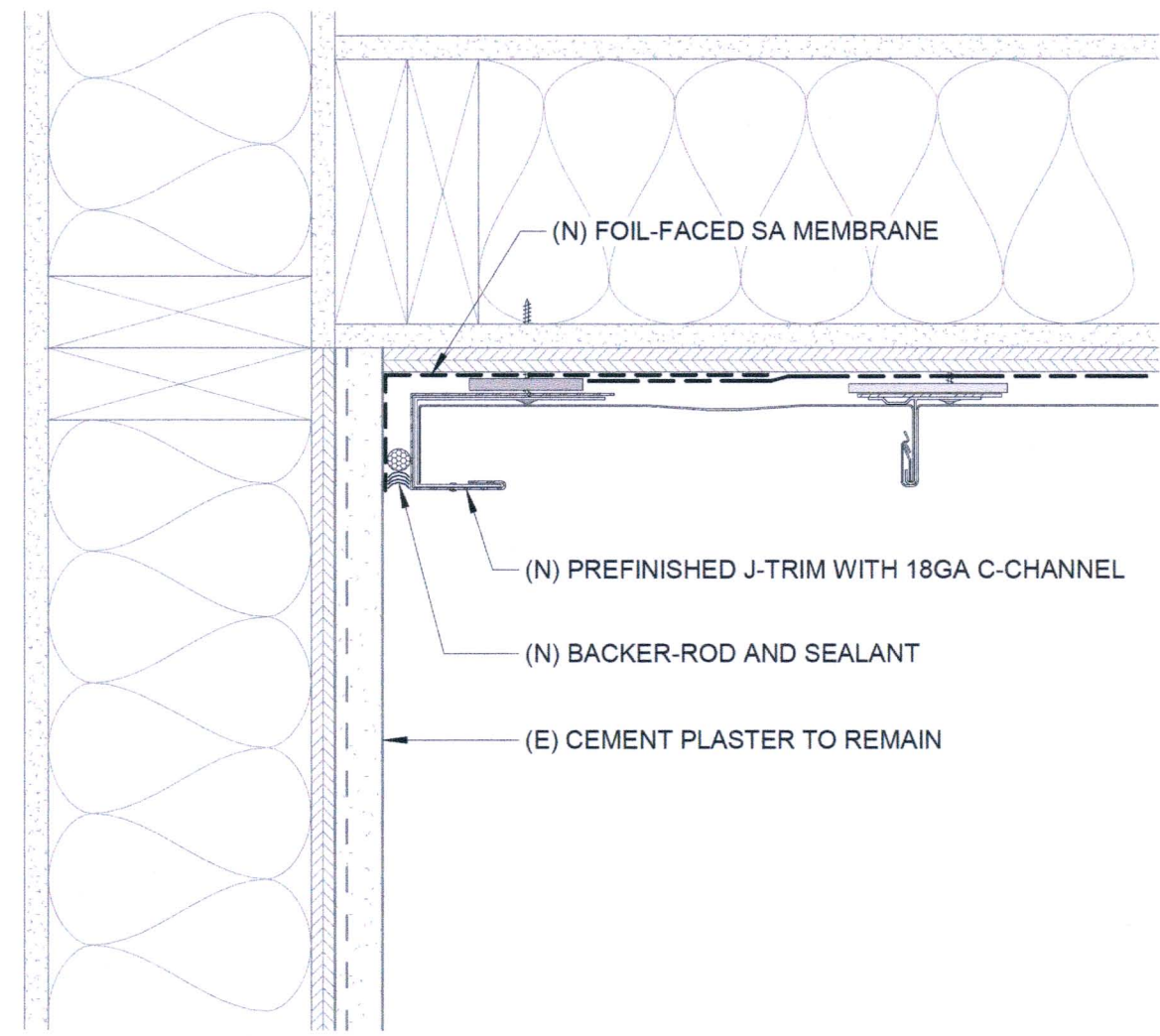
CONT./CONS: 071518 TOWNSHIP: 21 RANGE: 03 SECTION: 34

M. ID: 101339.04 DAT-HRZ: WA83-SF VERT:

PHASE: 100% SUBMITTAL PARCEL:

6661
A5.1

THIS DRAWING IS THE PROPERTY OF THE PORT OF TACOMA AND SHALL NOT BE USED ON OTHER WORK, DISCLOSED, COPIED, IN WHOLE OR IN PART, WITHOUT WRITTEN PERMISSION

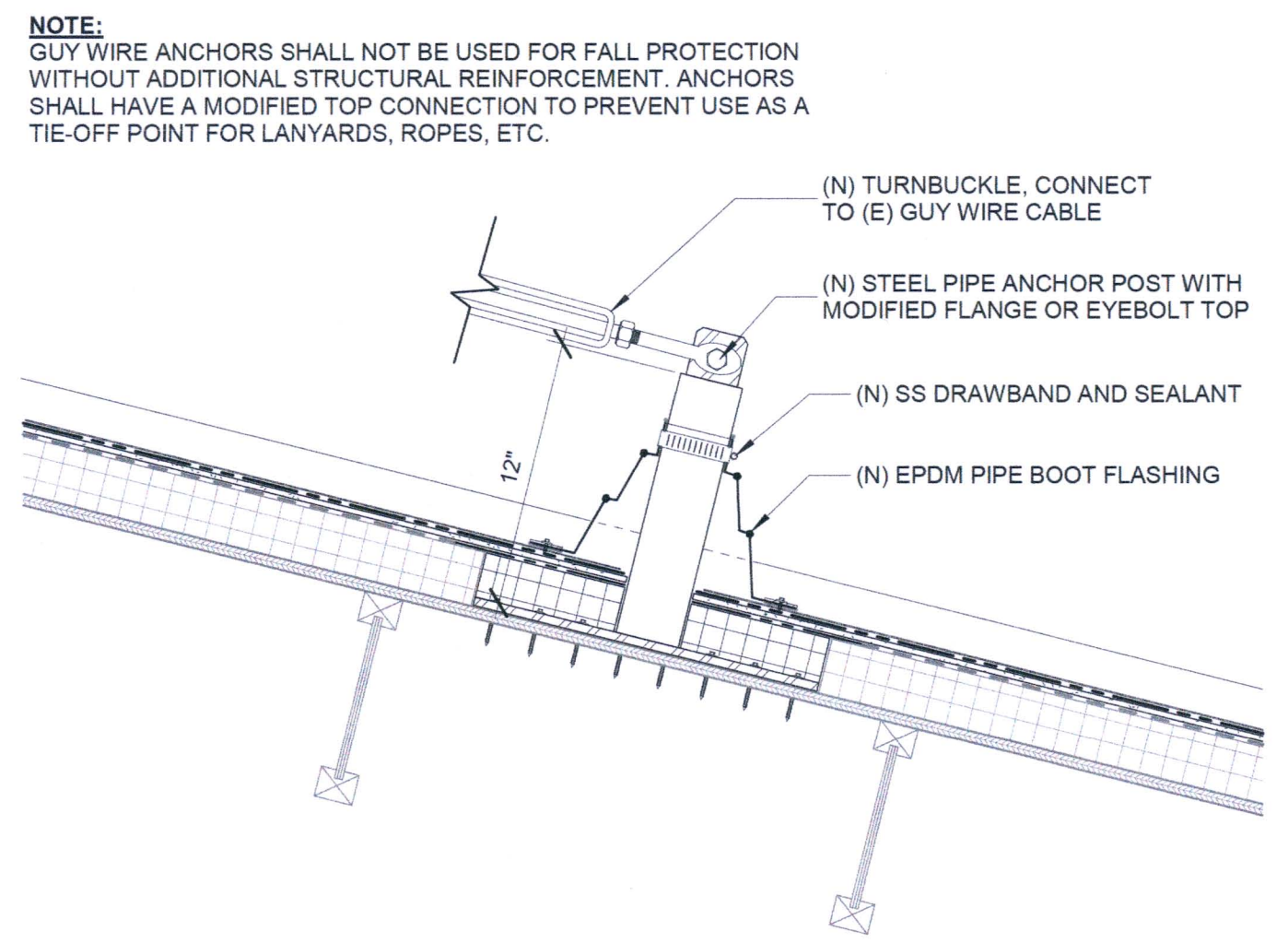
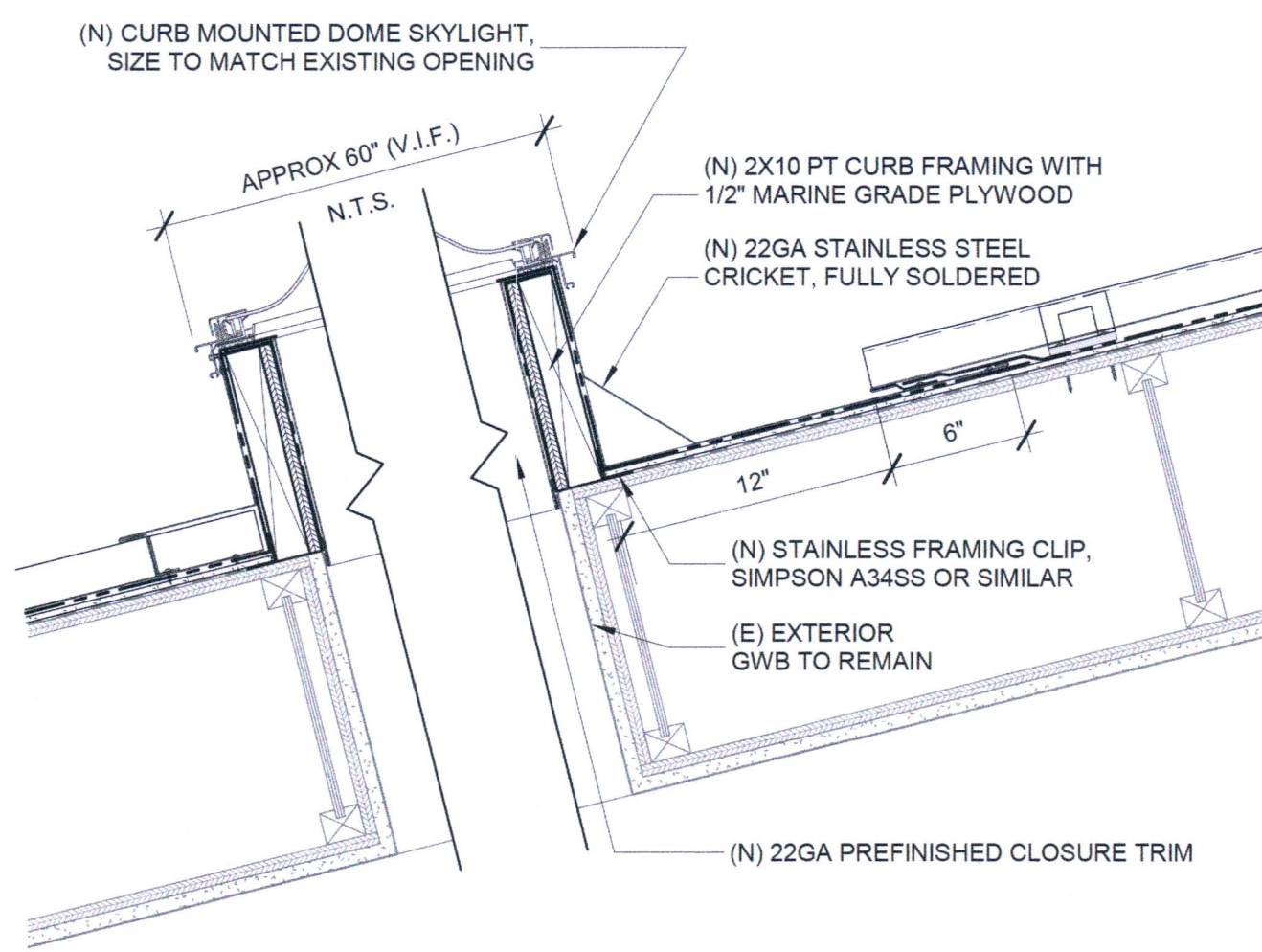
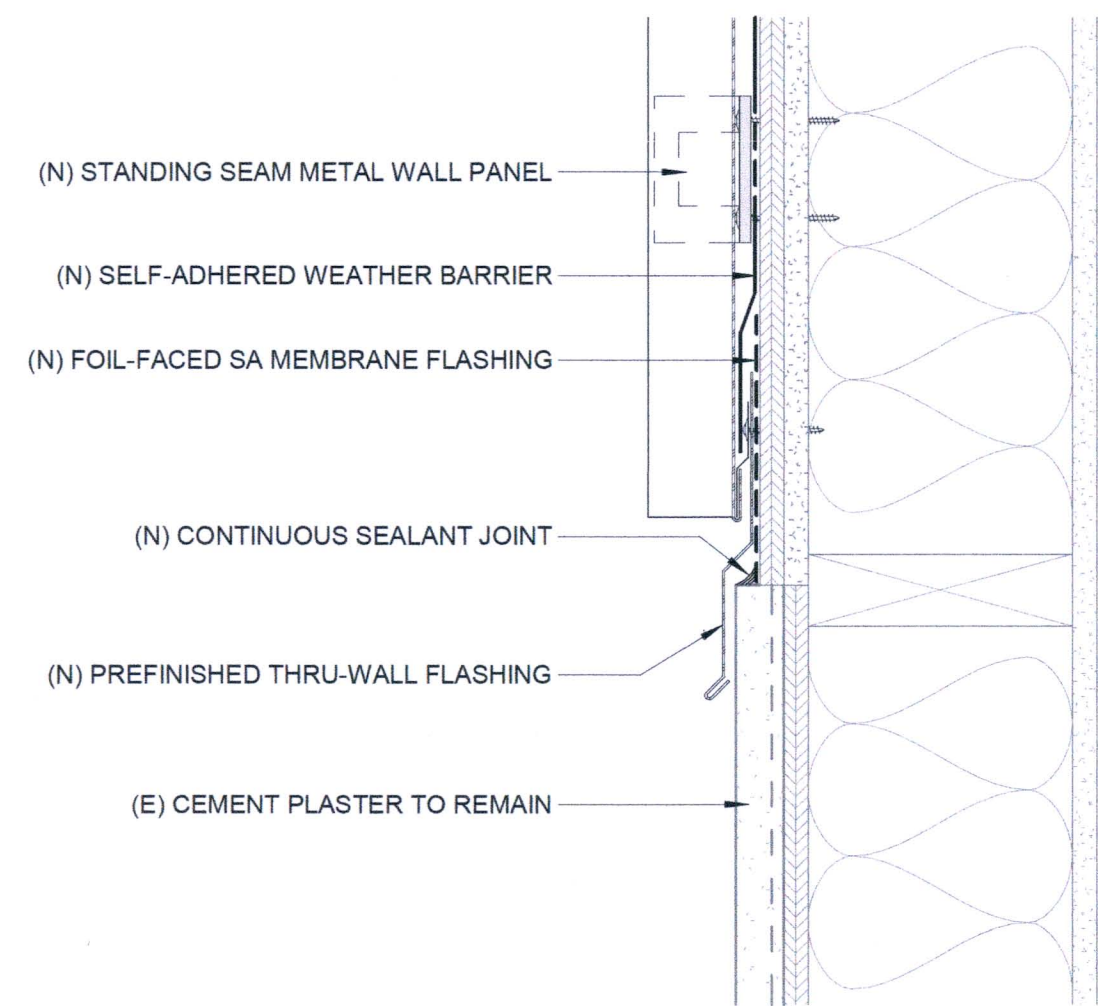


9 (N) INSIDE CORNER AT PLASTER
A5.2 3" = 1'-0"

6 (N) OUTSIDE CORNER AT MTL. PANEL
A5.2 3" = 1'-0"

3 (N) ROOF VENT
A5.2 1 1/2" = 1'-0"

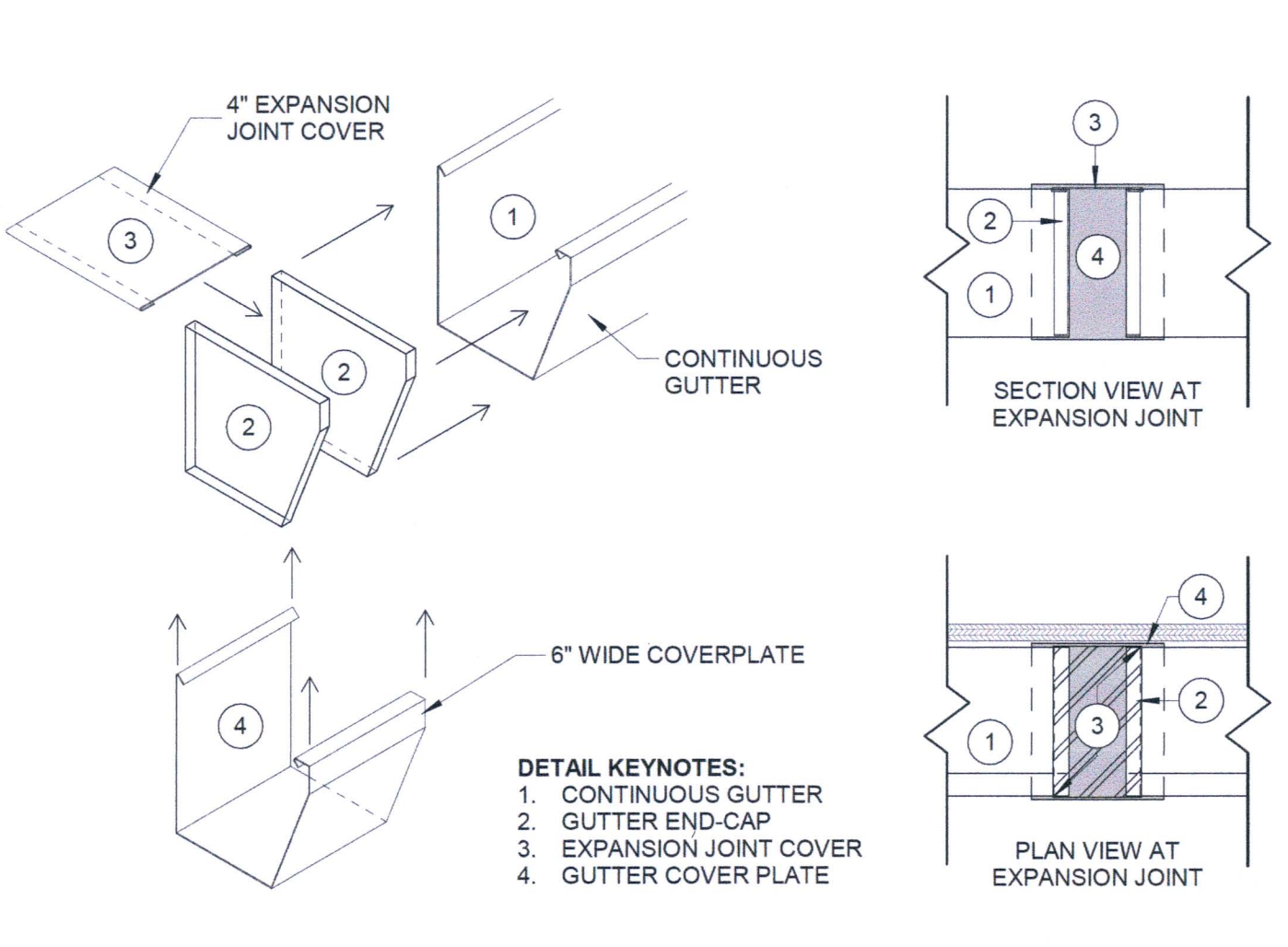
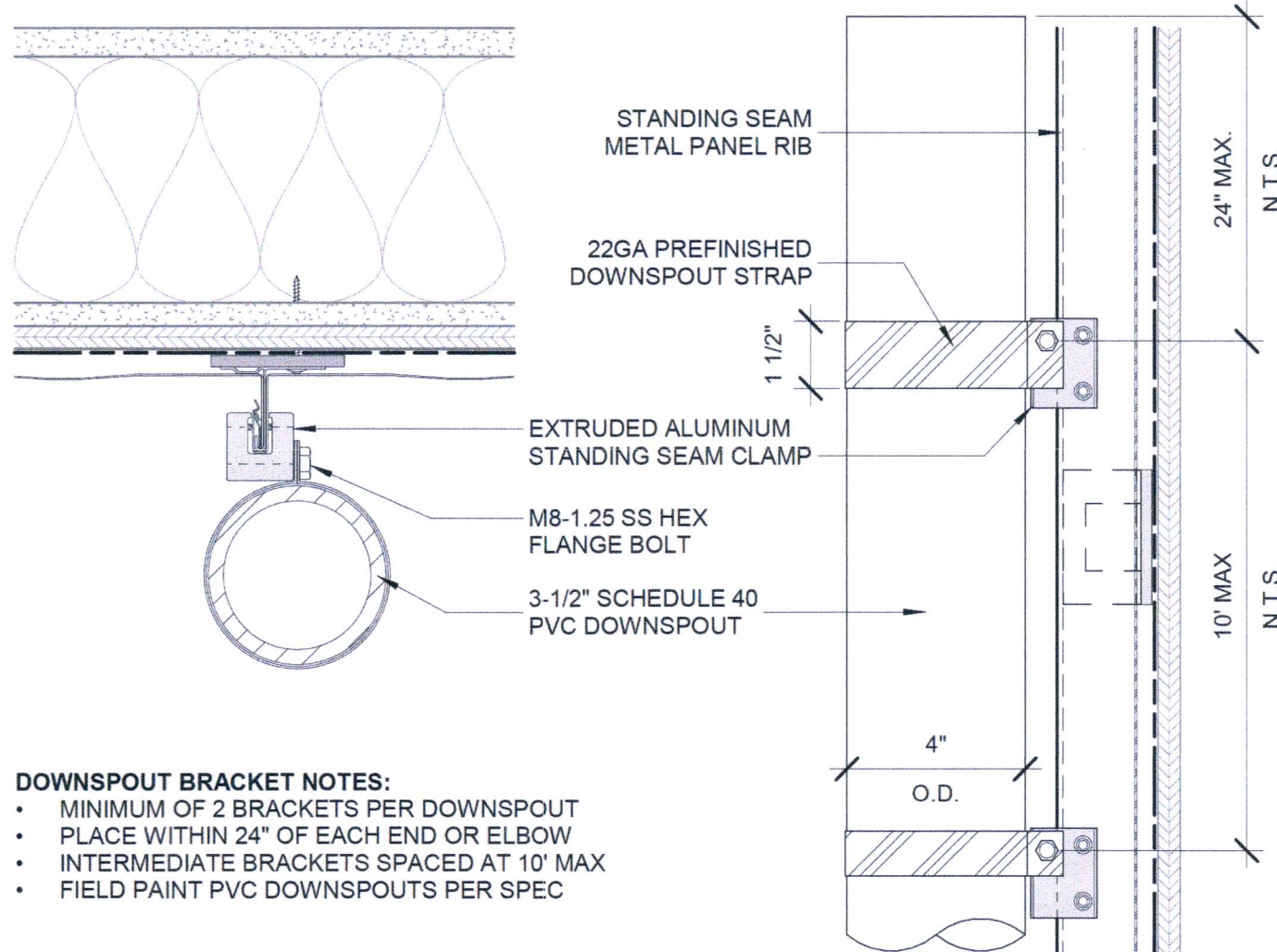
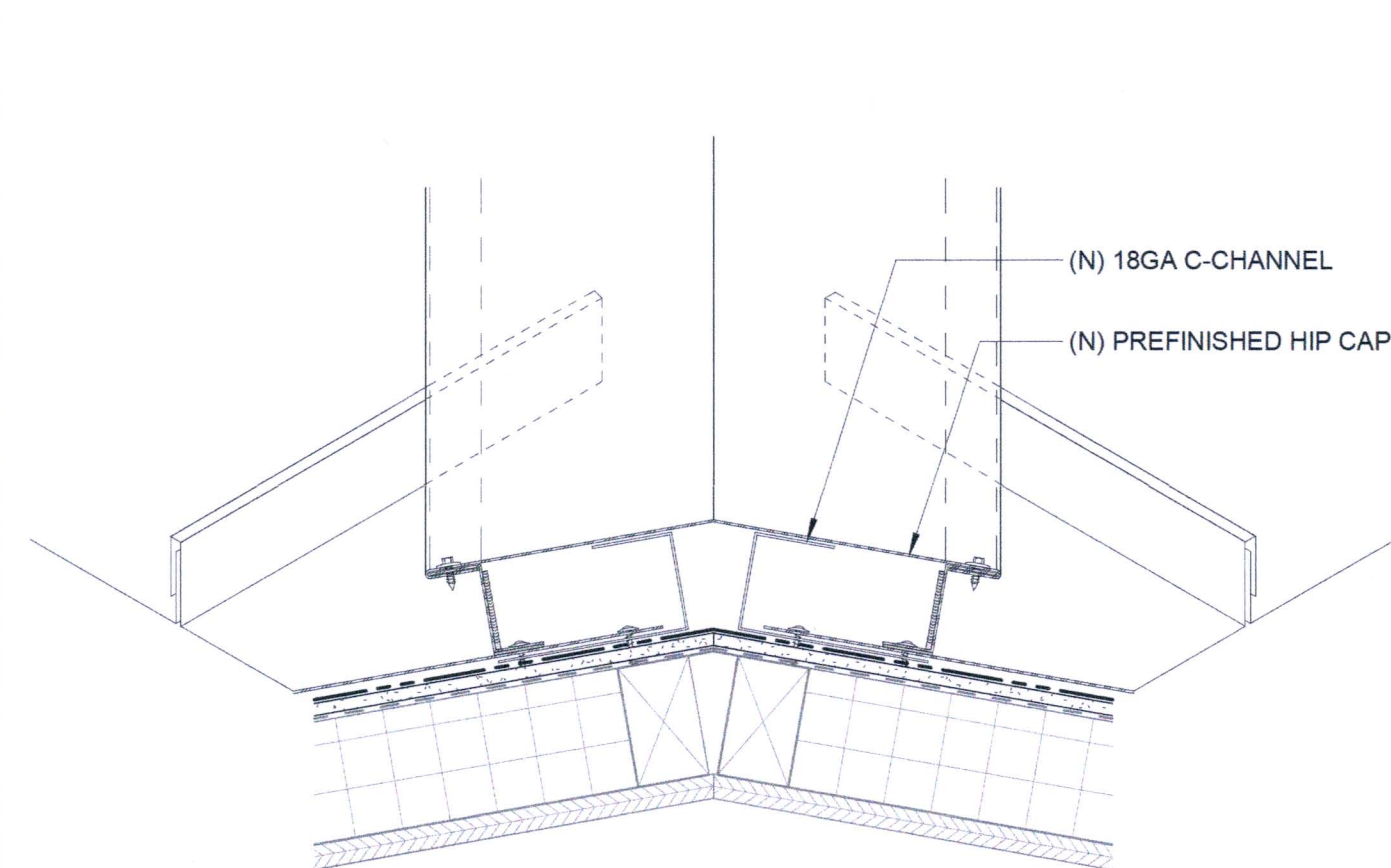
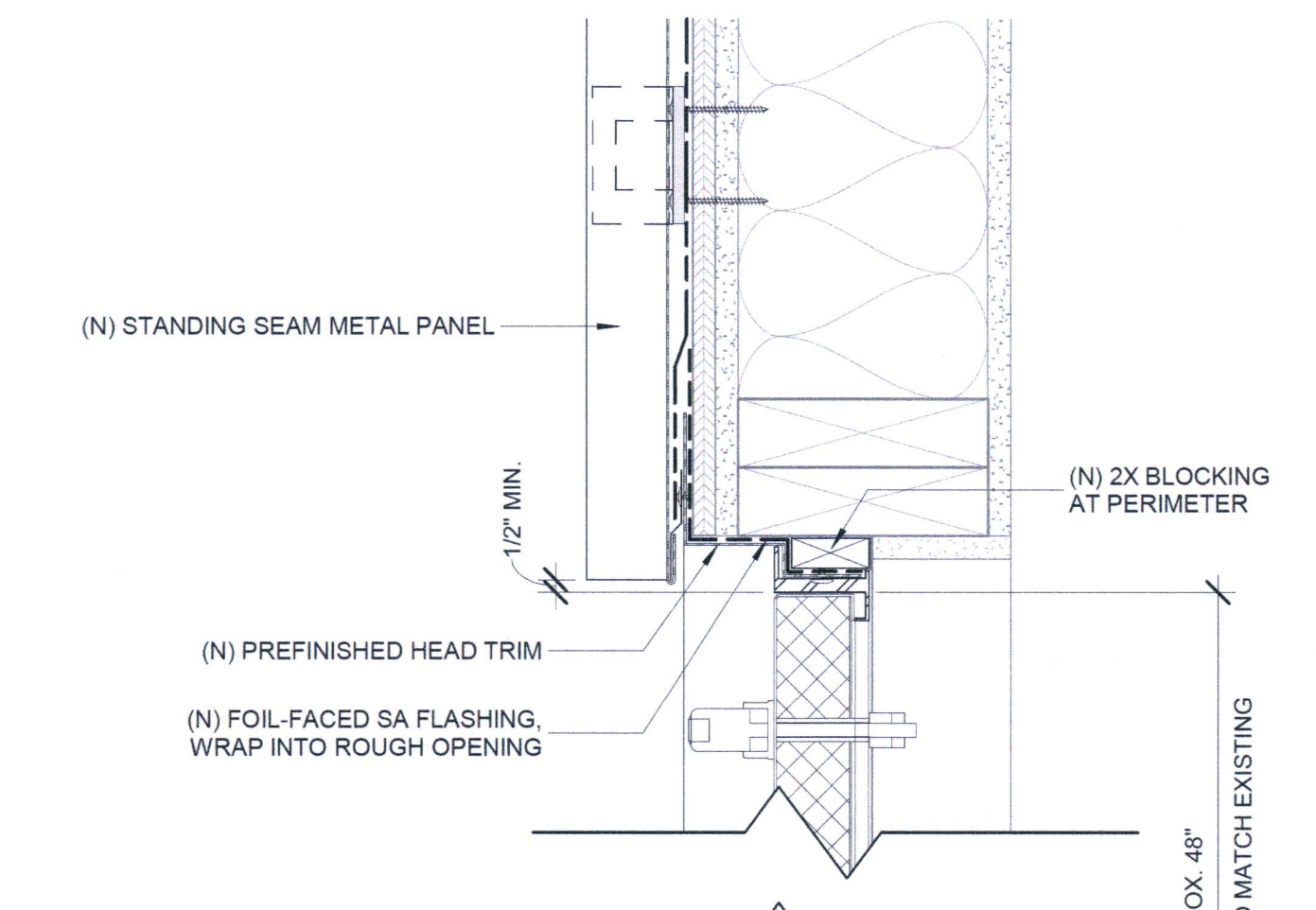
1 (N) INFILL AT GUTTER
A5.2 3" = 1'-0"



10 (N) MTL. PANEL BASE AT PLASTER
A5.2 3" = 1'-0"

7 (N) SKYLIGHT CRICKET DETAIL
A5.2 1 1/2" = 1'-0"

4 (N) GUY WIRE ANCHOR
A5.2 1 1/2" = 1'-0"



11 (N) HIP CAP DETAIL
A5.2 3" = 1'-0"

8 (N) DOWNSPOUT BRACKET
A5.2 3" = 1'-0"

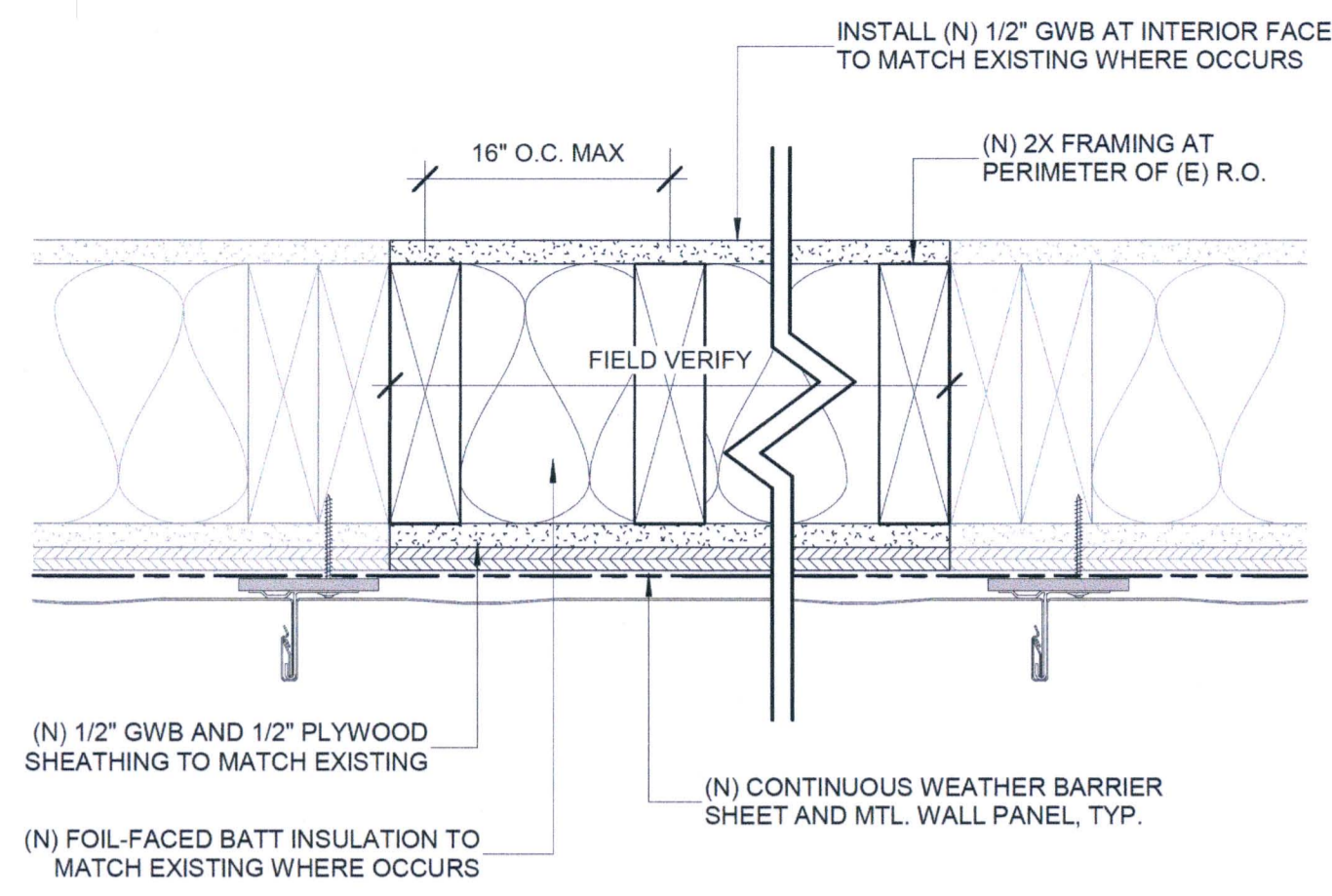
5 EXPANSION JOINT AT GUTTER
A5.2 1 1/2" = 1'-0"

2 (N) ACCESS DOOR DETAIL
A5.2 3" = 1'-0"

NOTE:
GUY WIRE ANCHORS SHALL NOT BE USED FOR FALL PROTECTION WITHOUT ADDITIONAL STRUCTURAL REINFORCEMENT. ANCHORS SHALL HAVE A MODIFIED TOP CONNECTION TO PREVENT USE AS A TIE-OFF POINT FOR LANYARDS, ROPES, ETC.

DOWNSPOUT BRACKET NOTES:
• MINIMUM OF 2 BRACKETS PER DOWNSPOUT
• PLACE WITHIN 24" OF EACH END OR ELBOW
• INTERMEDIATE BRACKETS SPACED AT 10' MAX
• FIELD PAINT PVC DOWNSPOUTS PER SPEC

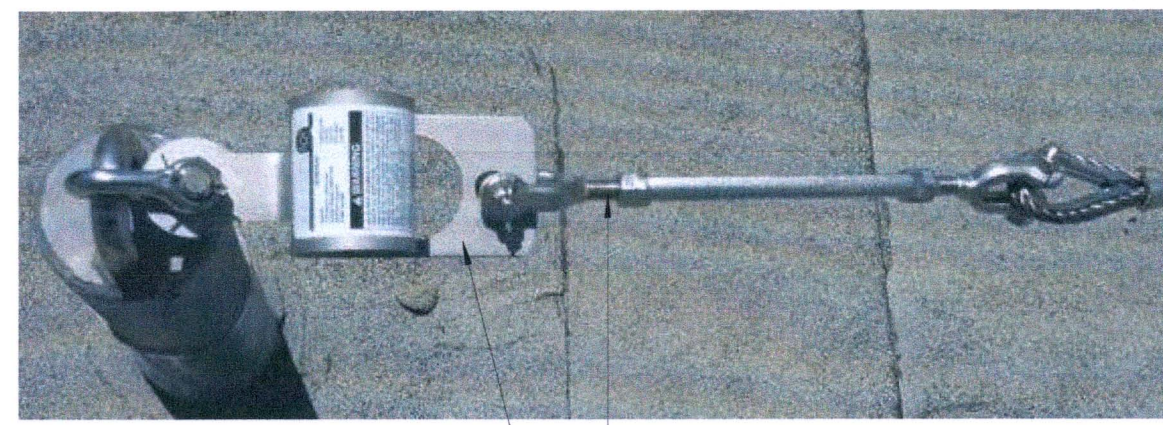
THIS DRAWING IS THE PROPERTY OF THE PORT OF TACOMA AND SHALL NOT BE USED ON OTHER WORK, DISCLOSED, COPIED, IN WHOLE OR IN PART, WITHOUT WRITTEN PERMISSION



9 (N) INFILL SHEATHING AT WALL
A5.3 3" = 1'-0"

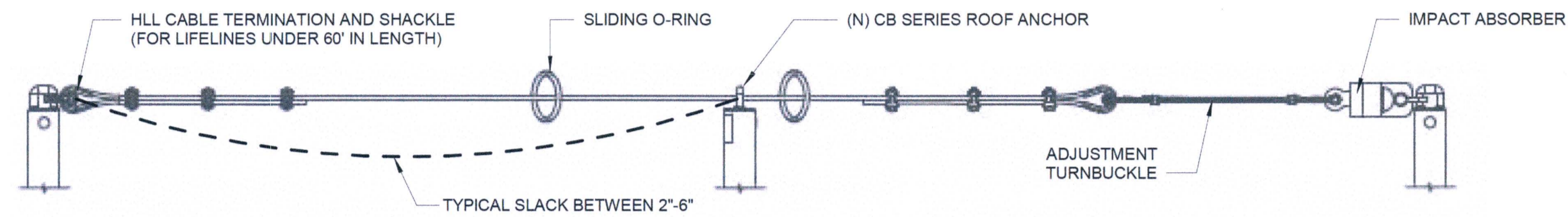


LIFELINE CORNER DETAIL

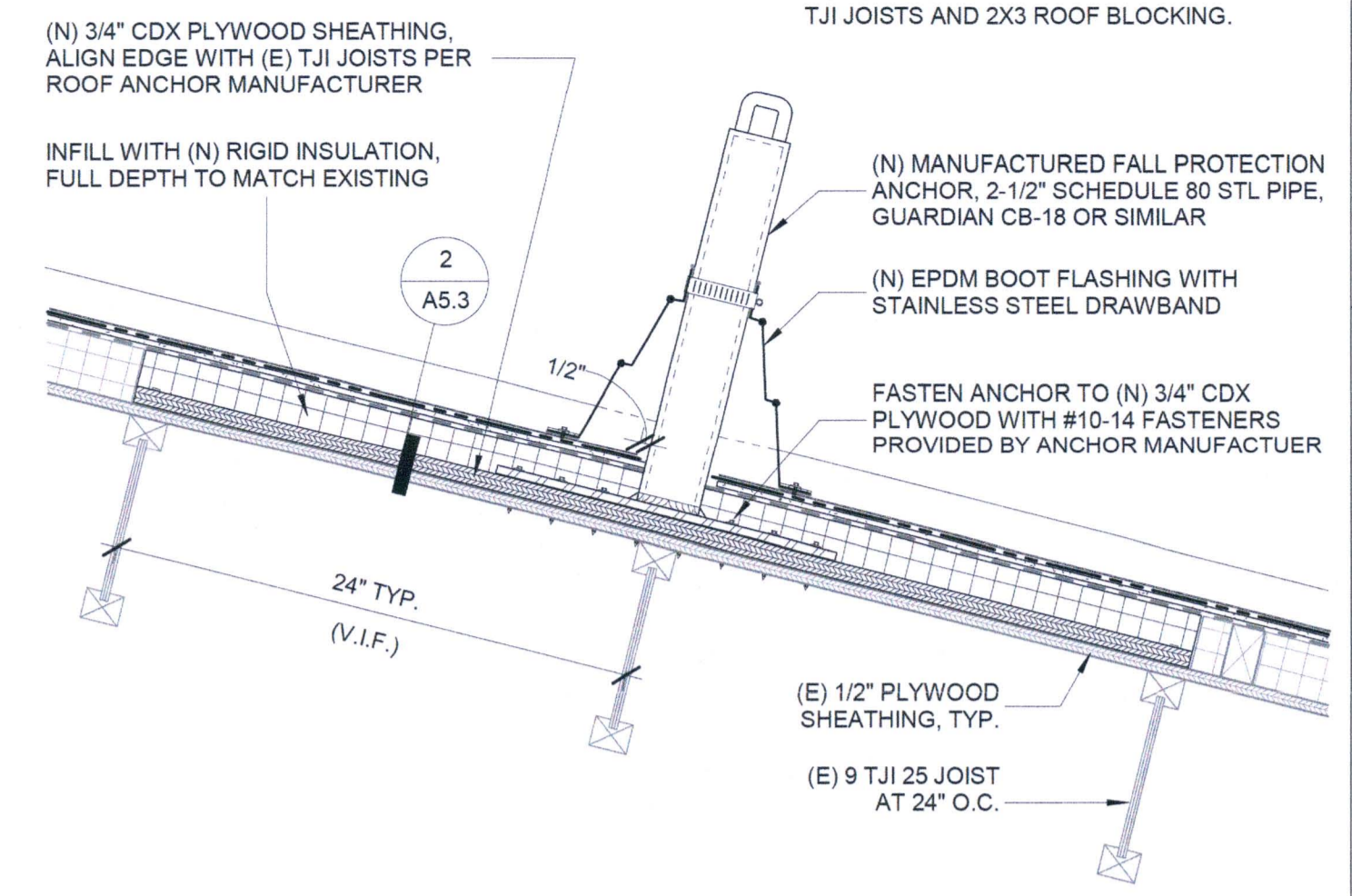


LIFELINE TERMINATION DETAIL

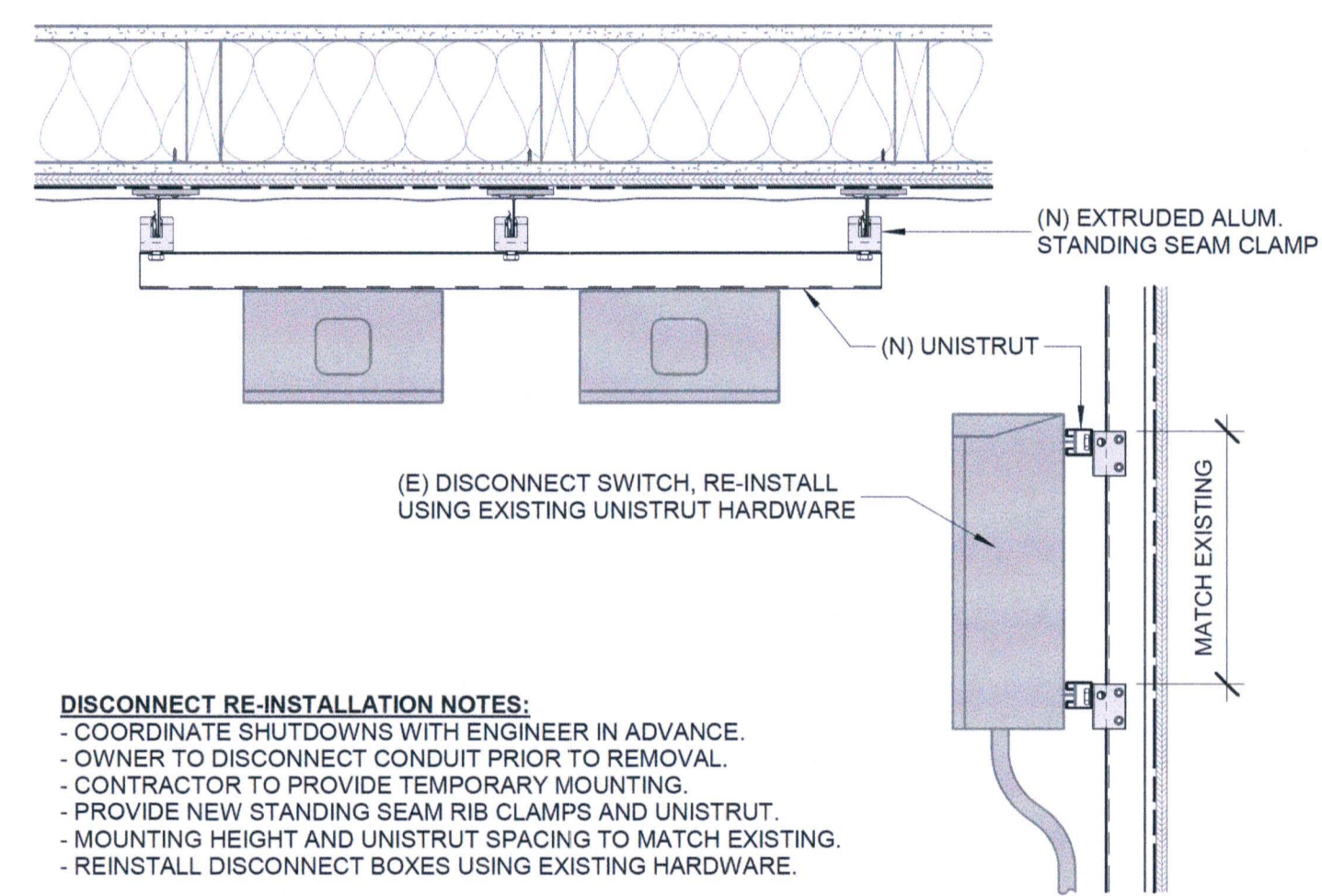
LOCATE AND GANG IMPACT ABSORBERS ON SINGLE FALL ANCHOR WHERE POSSIBLE TO AID IN VISUAL INSPECTION



6 (N) HORIZONTAL LIFELINE DETAILS
A5.3 NTS

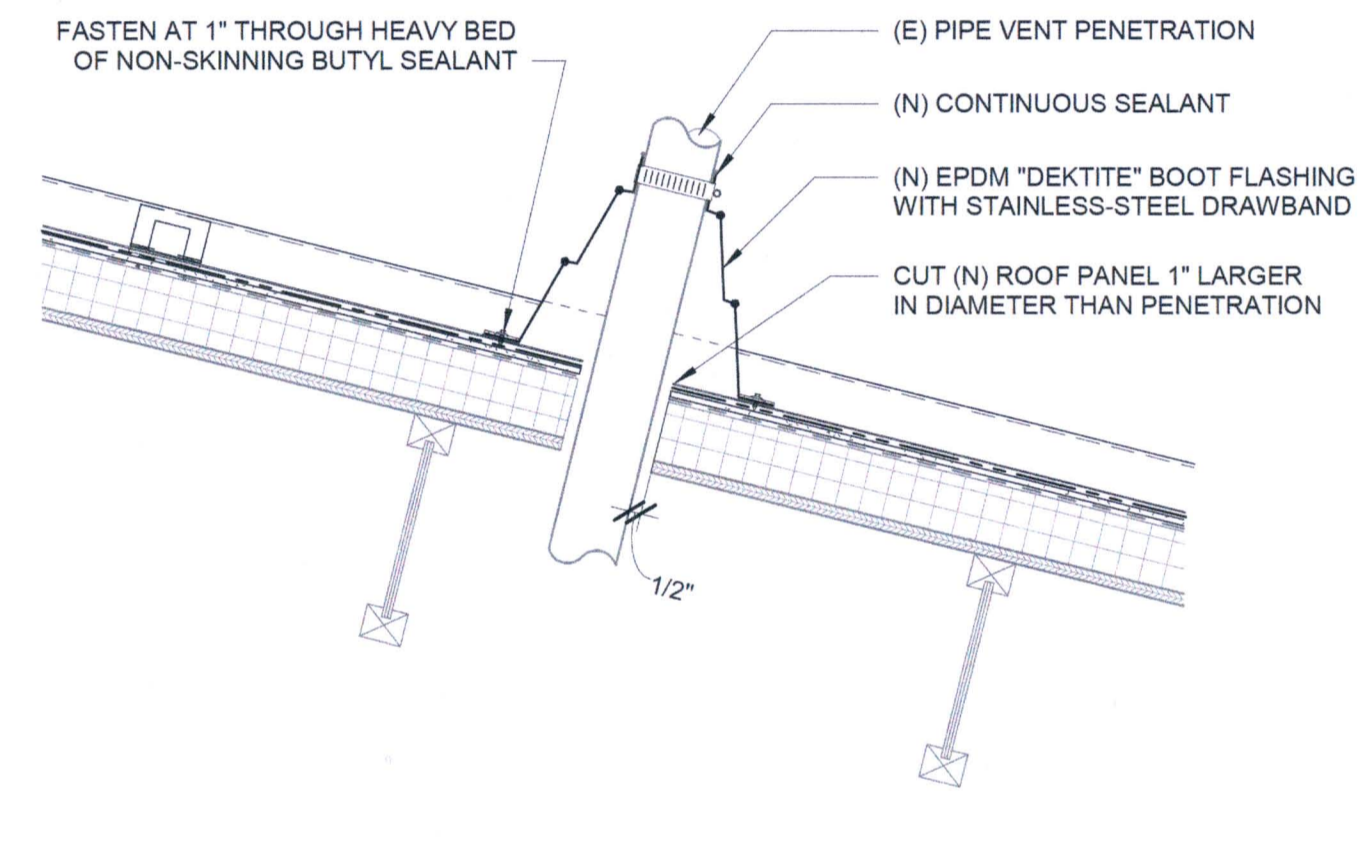


1 (N) ROOF ANCHOR DETAIL
A5.3 1 1/2" = 1'-0"

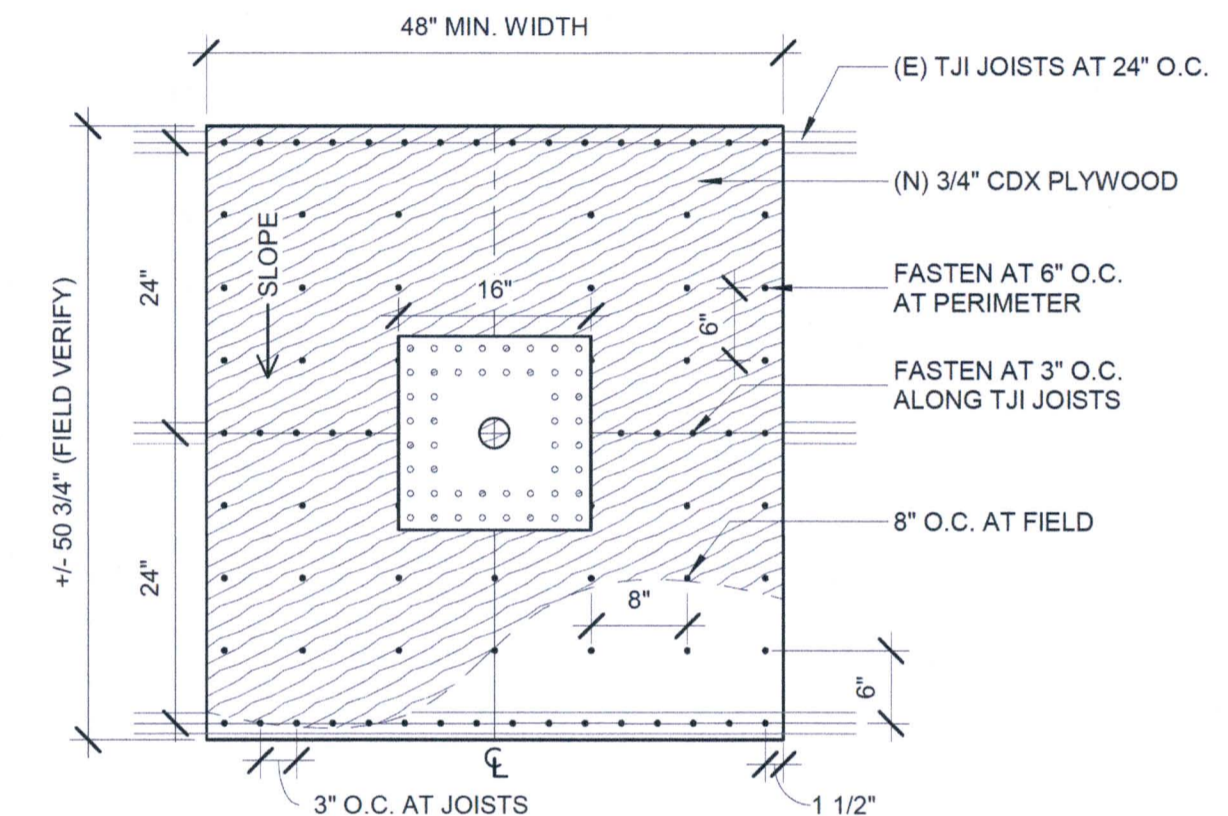


DISCONNECT RE-INSTALLATION NOTES:
 - COORDINATE SHUTDOWNS WITH ENGINEER IN ADVANCE.
 - OWNER TO DISCONNECT CONDUIT PRIOR TO REMOVAL.
 - CONTRACTOR TO PROVIDE TEMPORARY MOUNTING.
 - PROVIDE NEW STANDING SEAM RIB CLAMPS AND UNISTRUT.
 - MOUNTING HEIGHT AND UNISTRUT SPACING TO MATCH EXISTING.
 - REINSTALL DISCONNECT BOXES USING EXISTING HARDWARE.

7 (E) DISCONNECT SWITCH
A5.3 1 1/2" = 1'-0"

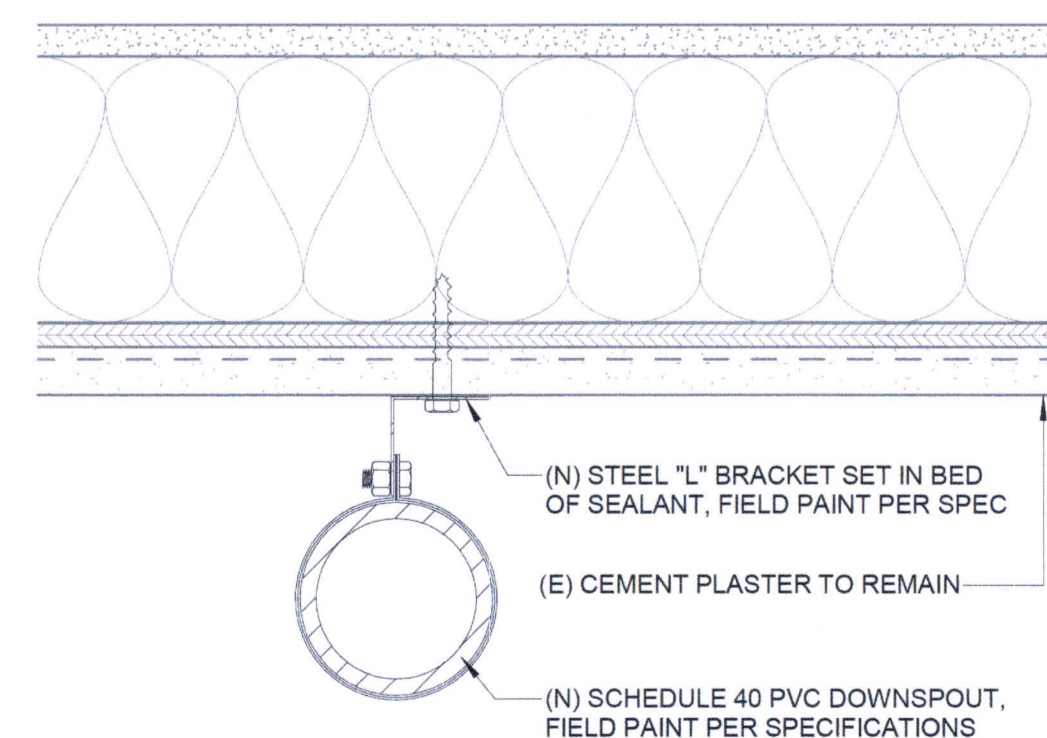


4 (N) PIPE VENT AT MTL. ROOF
A5.3 1 1/2" = 1'-0"

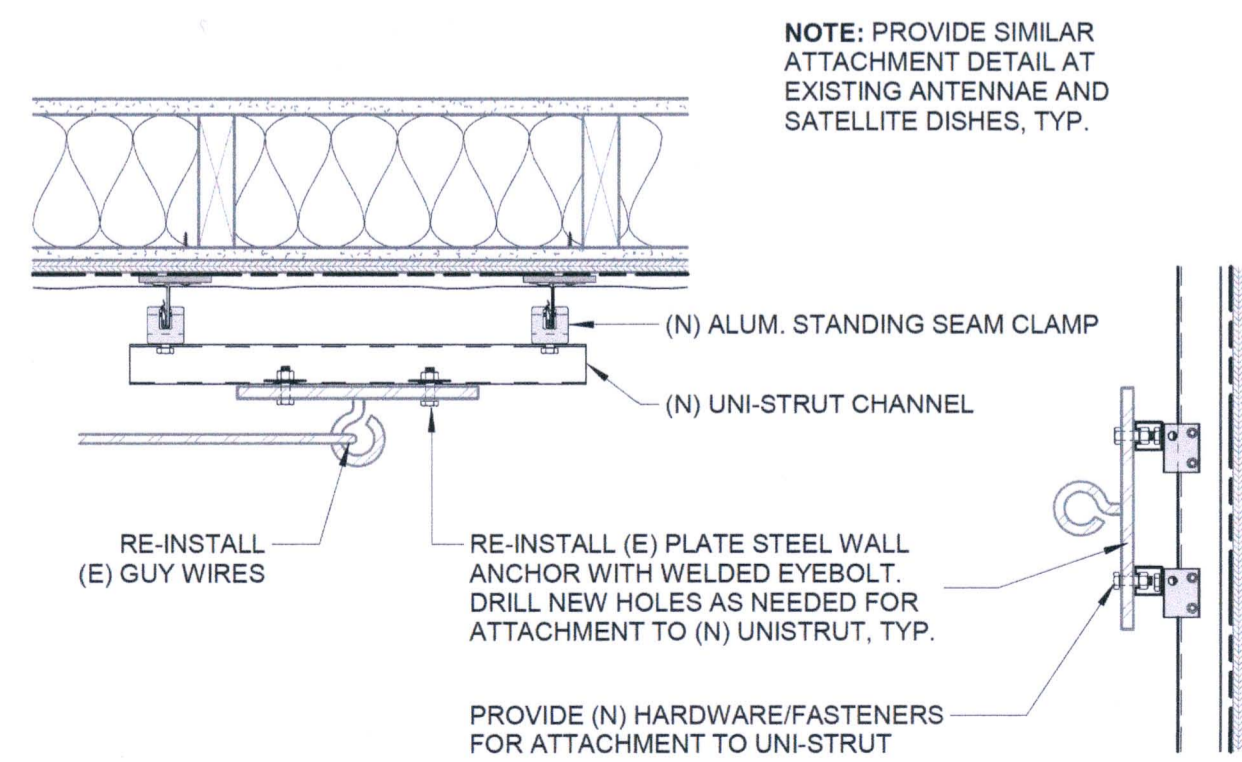


ROOF ANCHOR REINFORCEMENT NOTES:
 - FIELD VERIFY LOCATION OF ALL JOISTS AND BLOCKING.
 - EXISTING 1/2" PLYWOOD SHEATHING NOT SHOWN FOR CLARITY.
 - FASTEN (N) 3/4" CDX PLYWOOD AT 3" O.C. ALONG JOISTS, 6" O.C. AT PERIMETER, AND 8" O.C. IN FIELD.
 - FASTENERS SHALL BE COMPLETELY PENETRATE AND EMBED THROUGH REINFORCEMENT CDX AND EXISTING 1/2" SHEATHING.
 - INSTALL (N) ROOF ANCHORS TO 3/4" CDX PLYWOOD BACKING PER MANUFACTURERS INSTRUCTIONS, #14 SCREWS MIN.

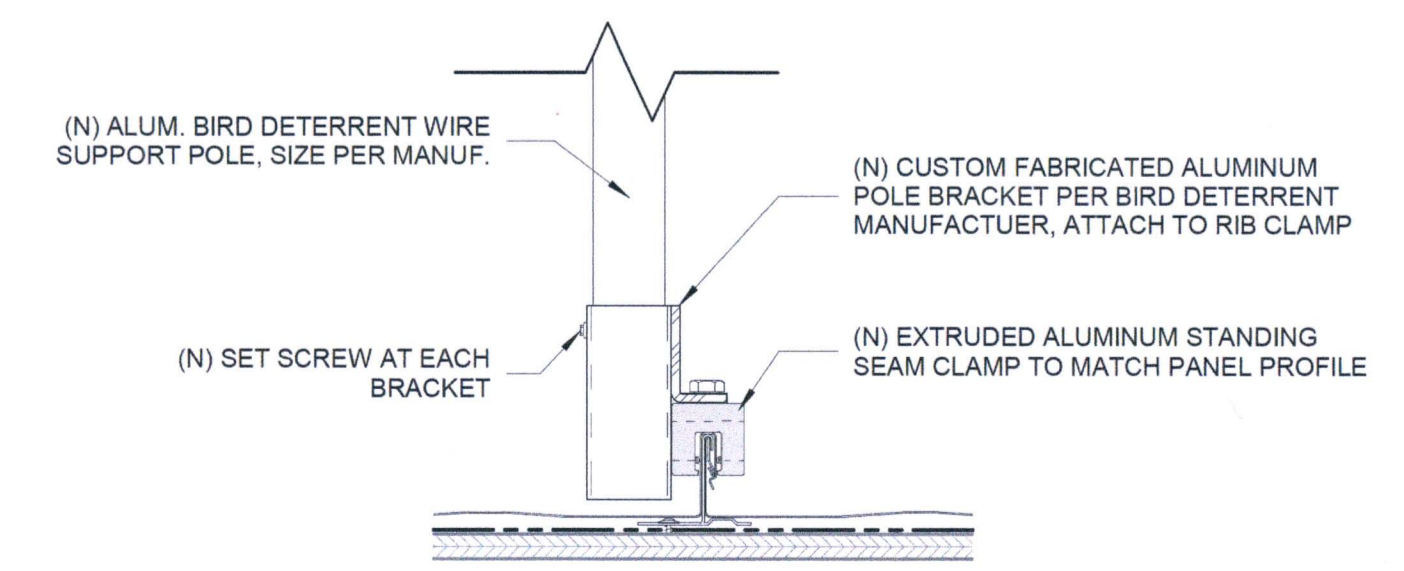
2 (N) ROOF ANCHOR REINFORCEMENT
A5.3 3/4" = 1'-0"



8 (N) D.S. BRACKET AT PLASTER
A5.3 3" = 1'-0"



5 (E) GUY WIRE WALL ANCHORS
A5.3 1 1/2" = 1'-0"



3 (N) BIRD DETERRENT BRACKET
A5.3 3" = 1'-0"

Part of
Tacoma
P.O. BOX 1837 TACOMA, WA 98401 (253) 881-1841

OAI PS
Architecture & Planning
101 SW KLUCKITAT WAY, STE. 208
SEATTLE, WA 98134 T (206) 507-6442
MARK: REVISION: B Y: APPR: DATE:

REGISTERED ARCHITECT
Jan Olson
STATE OF WASHINGTON

Checker	DATE	Checked By	DATE
<i>Jan Olson</i>			

APPROVED: *Jan Olson*
 DIRECTOR ENGR. DATE: JUN
 PRINTED BY: JUM
 PORT ADDRESS: ONE SITCUM WAY TACOMA, WA 98401-1837

ADMINISTRATION BUILDING ROOF REPLACEMENT DETAILS

6661
A5.3
SHT #20 OF 20

CONT/CONS: 071518 TOWNSHIP: 21 RANGE: 03 SECTION: 34
 M. ID: 101339.04 DAT-HRZ: WA83-SF VERT:
 PHASE: 100% SUBMITTAL PARCEL: DRAWING SCALE: As indicated

THIS DRAWING IS THE PROPERTY OF THE PORT OF TACOMA AND SHALL NOT BE USED ON OTHER WORK, DISCLOSED, COPIED, IN WHOLE OR IN PART, WITHOUT WRITTEN PERMISSION